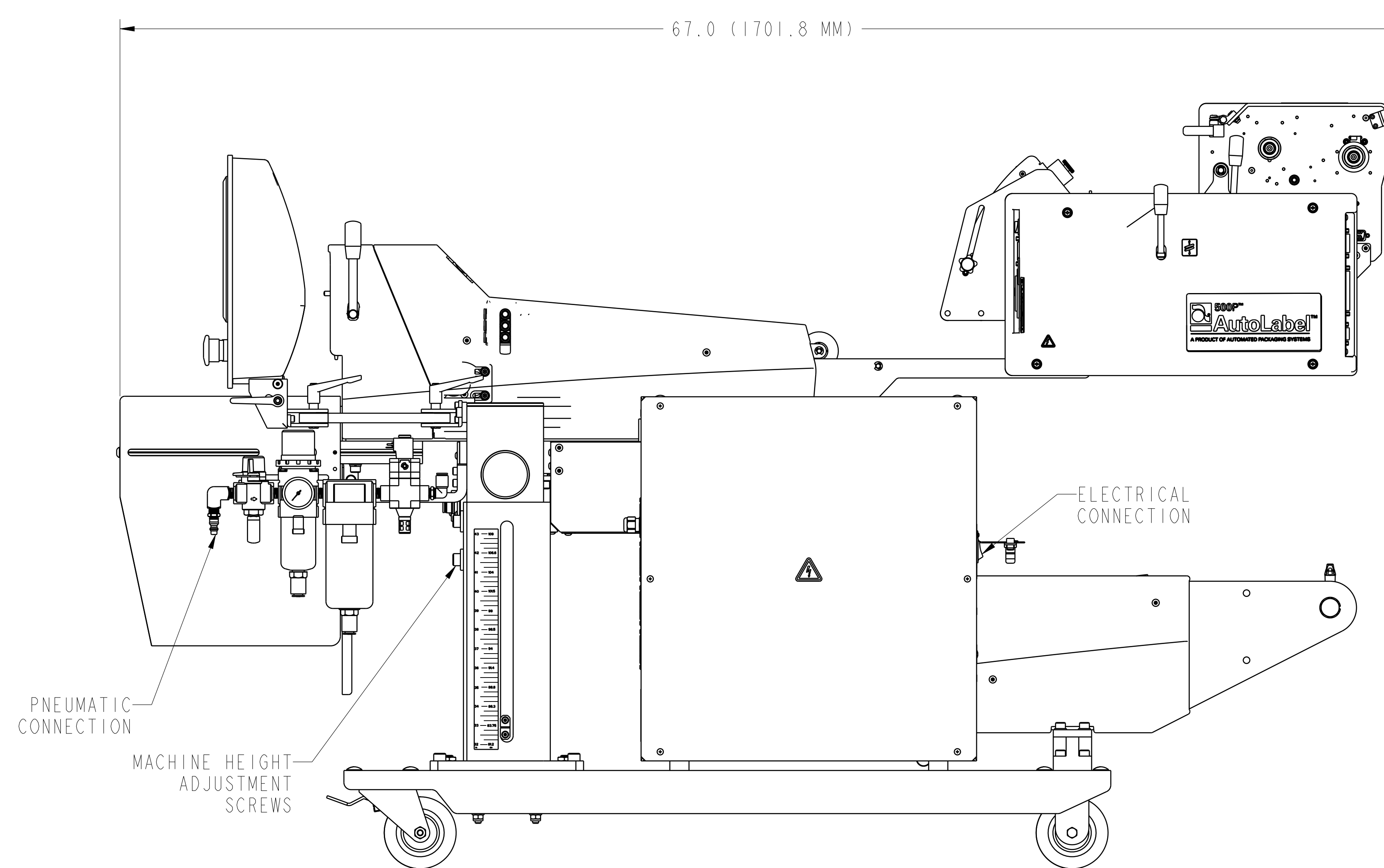
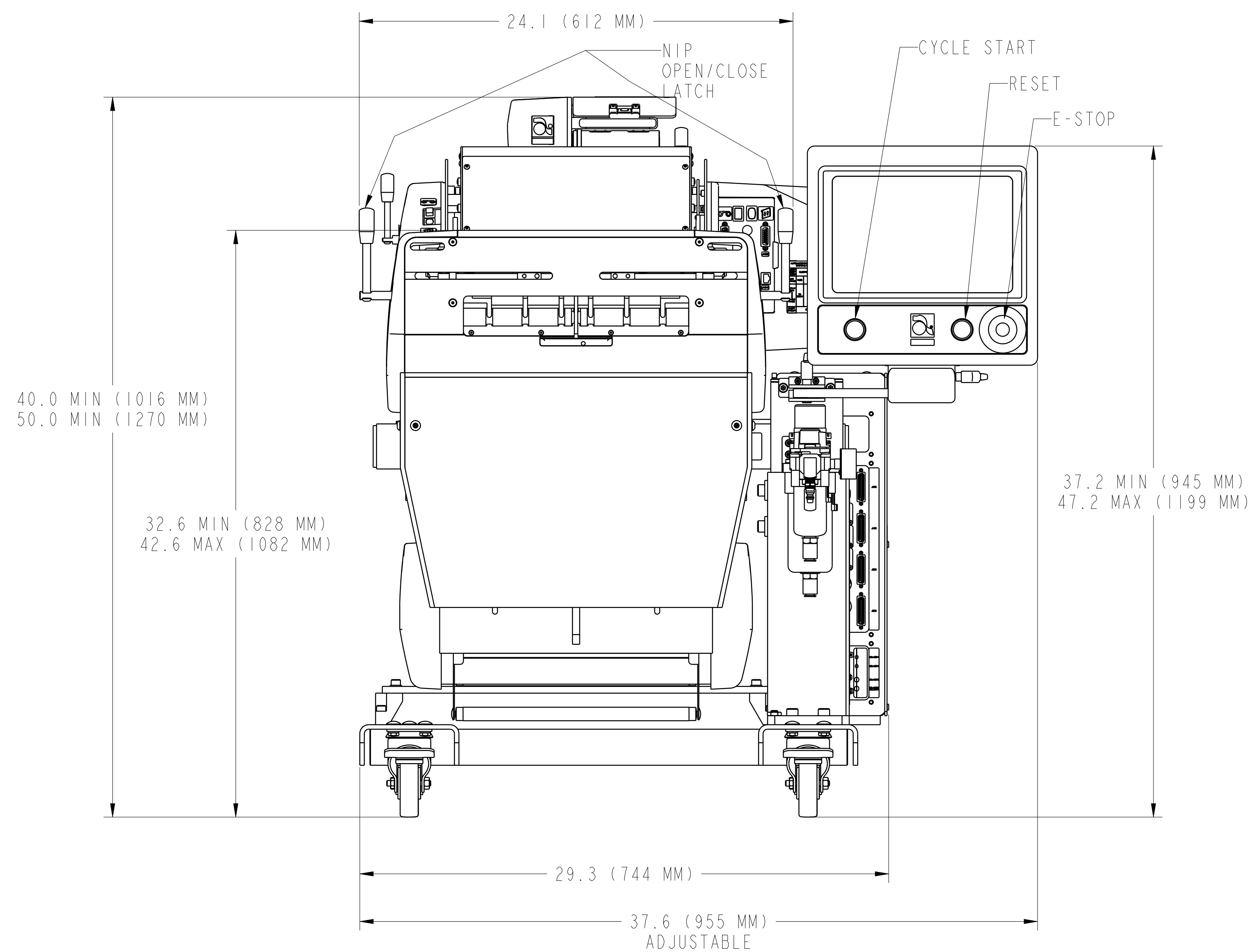


BAGGER SPECIFICATIONS	
WEIGHT	350 LBS (158.6 KG)
ELECTRICAL	UNIVERSAL INPUT, 100V TO 240V VAC, 50/60 Hz POWER CONSUMPTION: 500W (VA) MAX
AIR FEED	5 CFM/80 PSI OF CLEAN, DRY AIR
PASS-THROUGH	UP TO 5 INCHES (127 MM)
BAG THICKNESS	1.09 - 4.0 MIL
BAG SIZES	WIDTH: 2 TO 12 INCHES (51 TO 305 MM) / LENGTH: 3 TO 20 INCHES (76 TO 508 MM)
WEIGHT CAPACITY	UP TO 5 LBS (WITH LOAD SHELF)

PRINTER SPECIFICATIONS	
WEIGHT	66 LBS (30 KG)
ELECTRICAL	100-240V VAC, 50/60 Hz, 300W
AIR FEED	SUPPLIED FROM BAGGER
LABEL SIZE	UP TO 4 INCHES (102 MM) WIDE, 20 INCHES (508 MM) LONG



REV	BY	DATE	ECN	DESCRIPTION
B	DMF	7-1-21	3265	UPDATED POWER CONSUMPTION: 500W MAX 1500W, 300W MAX 2.4kW
A	DMF	11-15-20	2895	RELEASED

FINISH	NONE
MATERIAL	NONE
MACHINING SURFACES TO BE NO GREATER THAN 125 (3.2) ✓ UNLESS OTHERWISE NOTED PARTS MUST BE FREE OF BURRS AND SHARP EDGES	
TOLERANCES: FINISH	MM
1 PLACE DIMS	± .1
2 PLACE DIMS	± .05
3 PLACE DIMS	± .01
ANGLES	± .1°

NOTICE: THIS DOCUMENT CONTAINS PROPRIETARY INFORMATION AND IS ONLY TO BE USED BY PERSONNEL OF THE ORIGINATING ORGANIZATION. IT IS THE PROPERTY OF AUTOMATED PACKAGING SYSTEMS, INC. AND IS NOT TO BE REPRODUCED OR TRANSMITTED IN ANY FORM OR BY ANY MEANS, ELECTRONIC OR MECHANICAL, INCLUDING PHOTOCOPYING, RECORDING, OR BY ANY INFORMATION STORAGE AND RETRIEVAL SYSTEM.					
DRAWING SIZE	SCALE	DRAWN BY	DATE	REV	DESCRIPTION
E	1/4	DMF	11-15-20		

Automated PACKAGING SYSTEMS	
10175 PHILLIPP PARKWAY - STREETSDORO, OH 44241	
FOOTPRINT: AB500 & AL500P W/UNWIND	DRAWING NO. FP273