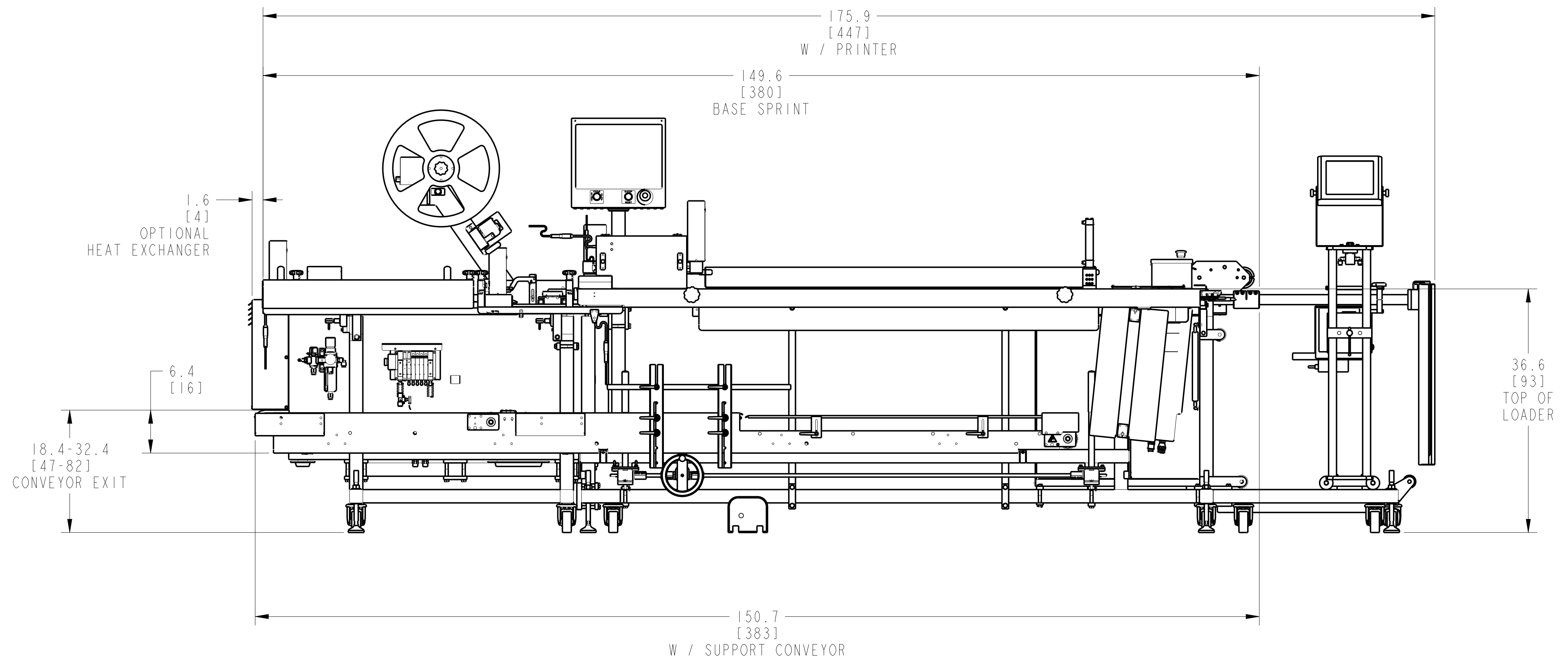
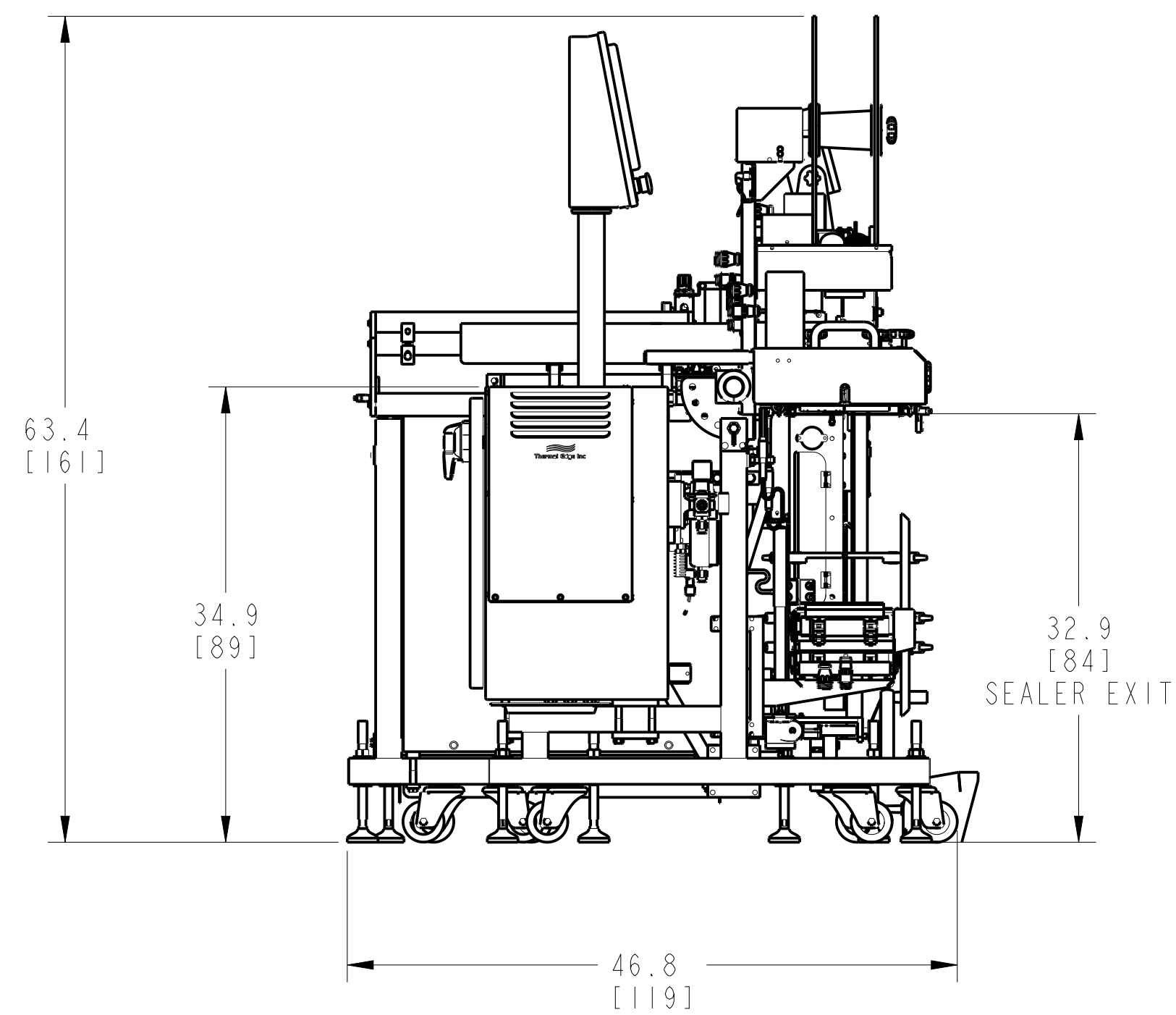
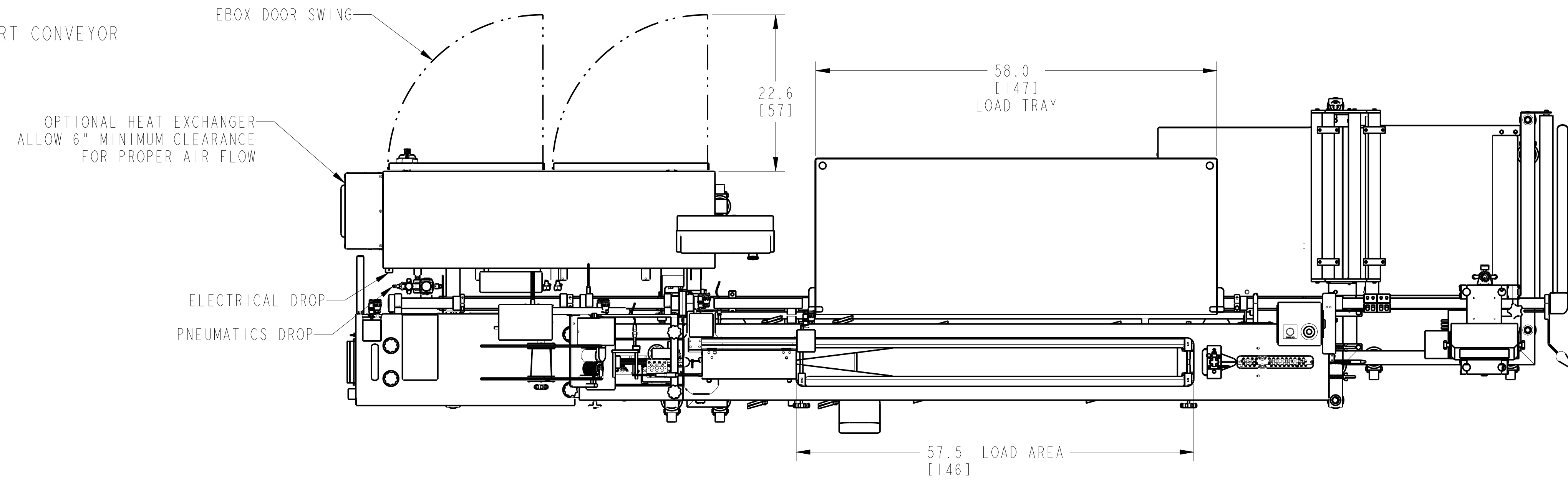


TECHNICAL SPECIFICATIONS, BAGGER:

- WEIGHT: 1184 lbs [537 kg]
- ELECTRICAL: 100/115/200/230 VAC @ 50/60 Hz
- AIR: 1 CFM @ 80 PSI [28 litre/min @ .55 MPA] (CLEAN, DRY AIR)
- PRODUCT PASS THROUGH: 6" [15,2 cm]
- PRODUCT WEIGHT CAPACITY: UP TO 15 lbs [6,8 kg] W/ SUPPORT CONVEYOR

PRINTER:  
 VIDEOJET DATAFLEX 6420  
 2.1" [53MM] AND 4.2" [107MM] 300 DPI PRINTHEADS AVAILABLE  
 PLEASE SEE WWW.VIDEOJET.COM FOR DETAILS



Fabricated & Documented to be RoHS Compliant

INCH [CM]

FINISH	NONE
MATERIAL	N/A
MACHINE SURFACES TO BE NO GREATER THAN 125 13.21 ✓ UNLESS OTHERWISE NOTED PART MUST BE FREE OF BURRS AND SHARP EDGES	
TOLERANCE	INCHES mm
1 PLACE DIMS	± .1 ±0,5
2 PLACE DIMS	± .02 ±0,51
3 PLACE DIMS	± .005 ±0,10
ANGULAR	± 1/2°
NOTICE: THIS DOCUMENT CONTAINS PROPRIETARY INFORMATION AND IT SHALL NOT BE USED OR REPRODUCED OR ITS CONTENT DISCLOSED, IN WHOLE OR PART, WITHOUT THE PRIOR WRITTEN CONSENT OF AUTOMATED PACKAGING SYSTEMS INC.	
INCH [MM]	THIRD ANGLE PROJECTION

<p>10175 PHILIPP PARKWAY • STREETSBORO, OH 44241</p>				
REV	BY	DATE	ECN	DESCRIPTION
C	CW	9-8-17	1203	MODEL UPDATE
B	CW	8-25-17		ADDED HEAT EXCHANGER
A	CW	10-5-16	788	RELEASED
DRAWING SIZE SCALE DRAWN BY BOM REFERENCE NUMBER				
D		3/32	NAME: C. WEBER	N/A
			DATE: 10-5-16	
TITLE FAS SPRINT 2009 W/ OPTIONS				DRAWING NO. SHEET 1 OF 1 REV
				FP228 C