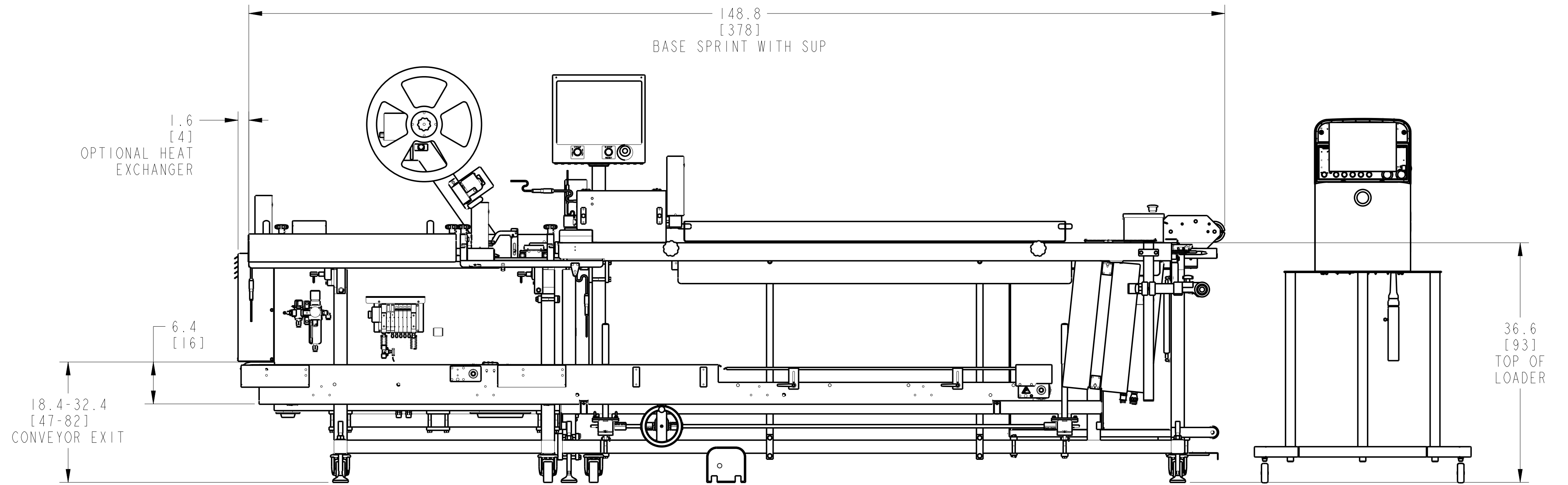
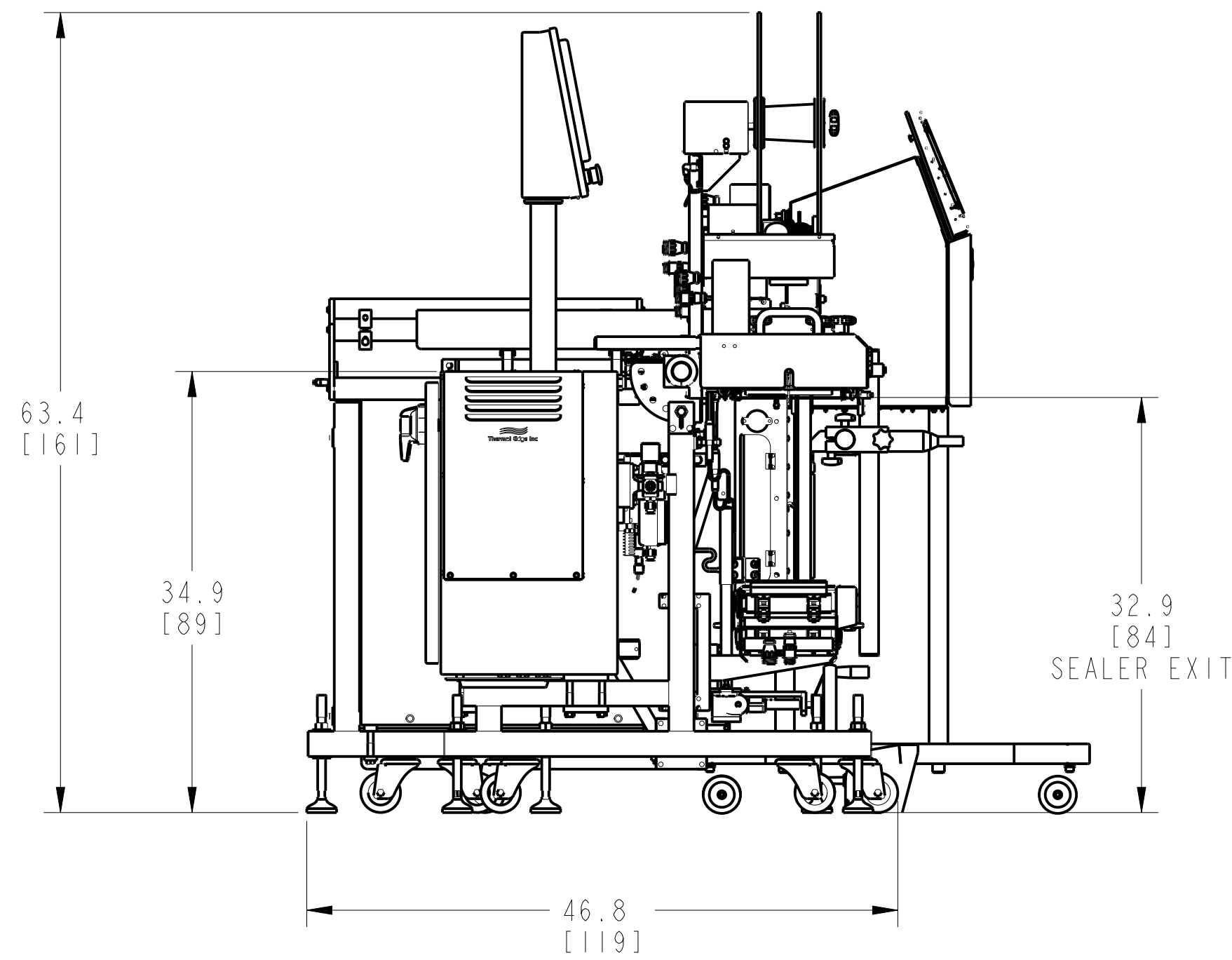
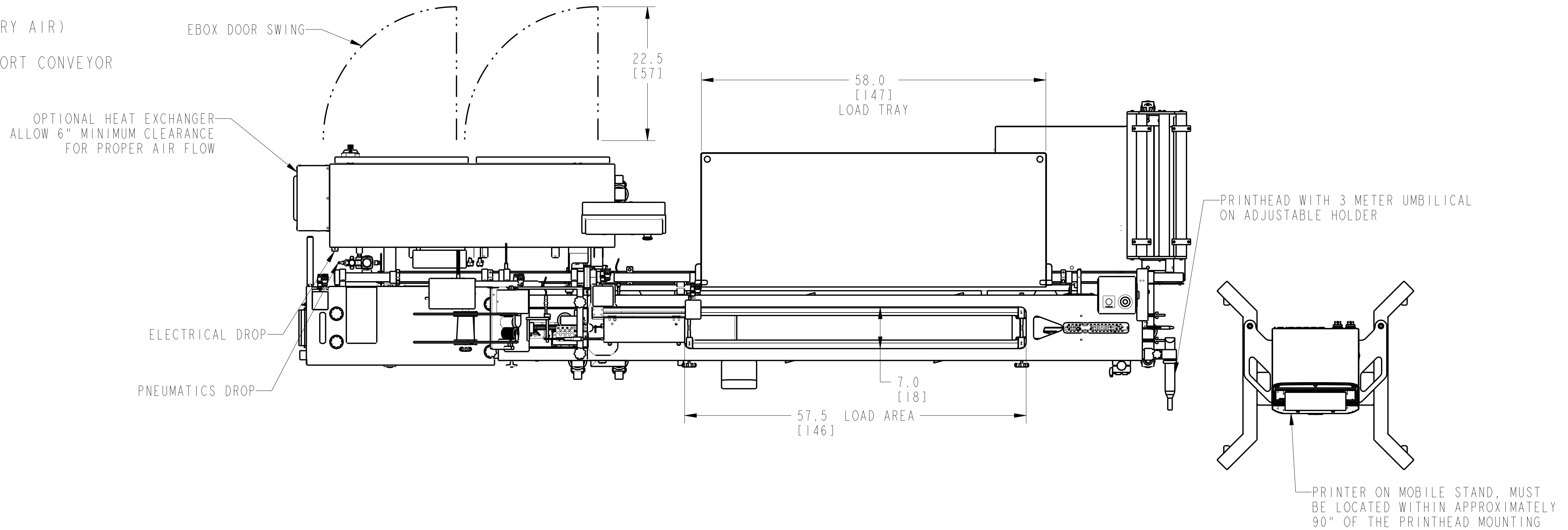


TECHNICAL SPECIFICATIONS, BAGGER:

- WEIGHT: 1184 lbs [537 kg]
- ELECTRICAL: 100/115/200/230 VAC @ 50/60 Hz
- AIR: 1 CFM @ 80 PSI [28 litre/min @ .55 MPA] (CLEAN, DRY AIR)
- PRODUCT PASS THROUGH: 6" [15,2 cm]
- PRODUCT WEIGHT CAPACITY: UP TO 15 lbs [6,8 kg] W/ SUPPORT CONVEYOR

PRINTER:
VIDEOJET 1860 INDUSTRIAL INKJET PRINTER
WITH UNIVERSAL HIGH MOBILITY STAND AND WASH STATION
PLEASE SEE WWW.VIDEOJET.COM FOR DETAILS



Fabricated & Documented
to be RoHS Compliant

INCH [CM]

| | |
|---|------------------------|
| FINISH | NONE |
| MATERIAL | N/A |
| MACHINE SURFACES TO BE NO GREATER THAN 125 13.21 ✓ UNLESS OTHERWISE NOTED PART MUST BE FREE OF BURRS AND SHARP EDGES | |
| TOLERANCE | INCHES mm |
| 1 PLACE DIMS | ±.1 ±0.5 |
| 2 PLACE DIMS | ±.02 ±0.51 |
| 3 PLACE DIMS | ±.005 ±0.10 |
| ANGLES | ± 1/2° |
| NOTICE: THIS DOCUMENT CONTAINS PROPRIETARY INFORMATION AND IT SHALL NOT BE USED OR REPRODUCED OR ITS CONTENT DISCLOSED, IN WHOLE OR PART, WITHOUT THE PRIOR WRITTEN CONSENT OF AUTOMATED PACKAGING SYSTEMS INC. | |
| INCH [MM] | THIRD ANGLE PROJECTION |

| | | | | | |
|---------------------------------------|----|-----------|---------|--------------------------|--|
| A | | CW | 6-15-20 | RELEASED | |
| REV | BY | DATE | ECN | DESCRIPTION | |
| D | | 3/32 | | | |
| NAME: C. WEBER | | DRAWN BY: | | BOM REFERENCE NUMBER | |
| DATE: 6-15-20 | | | | N/A | |
| TITLE: FAS SPRINT 2009 W/ SUP, INKJET | | | | DRAWING NO. SHEET 1 OF 1 | |
| | | | | FP275 | |

