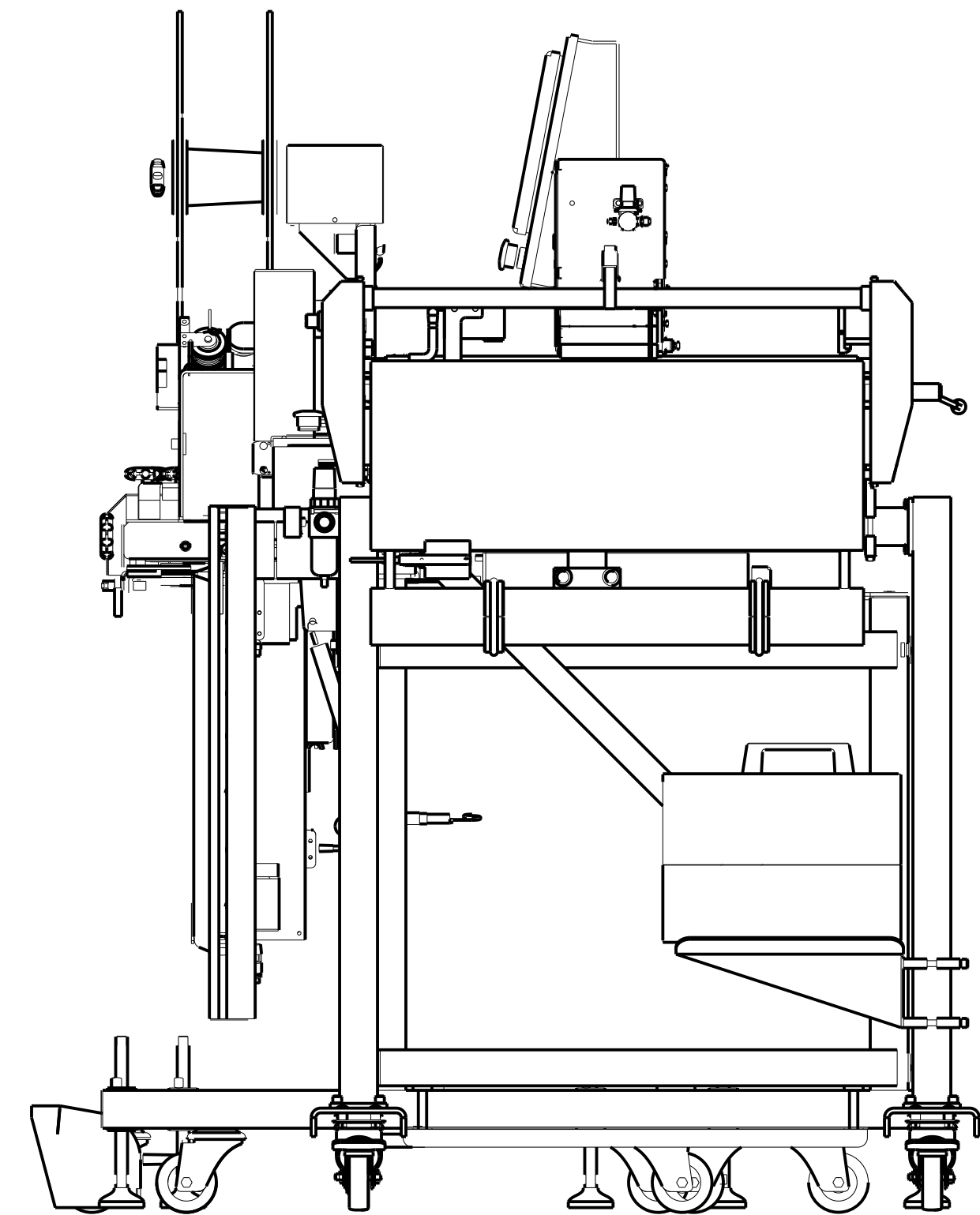
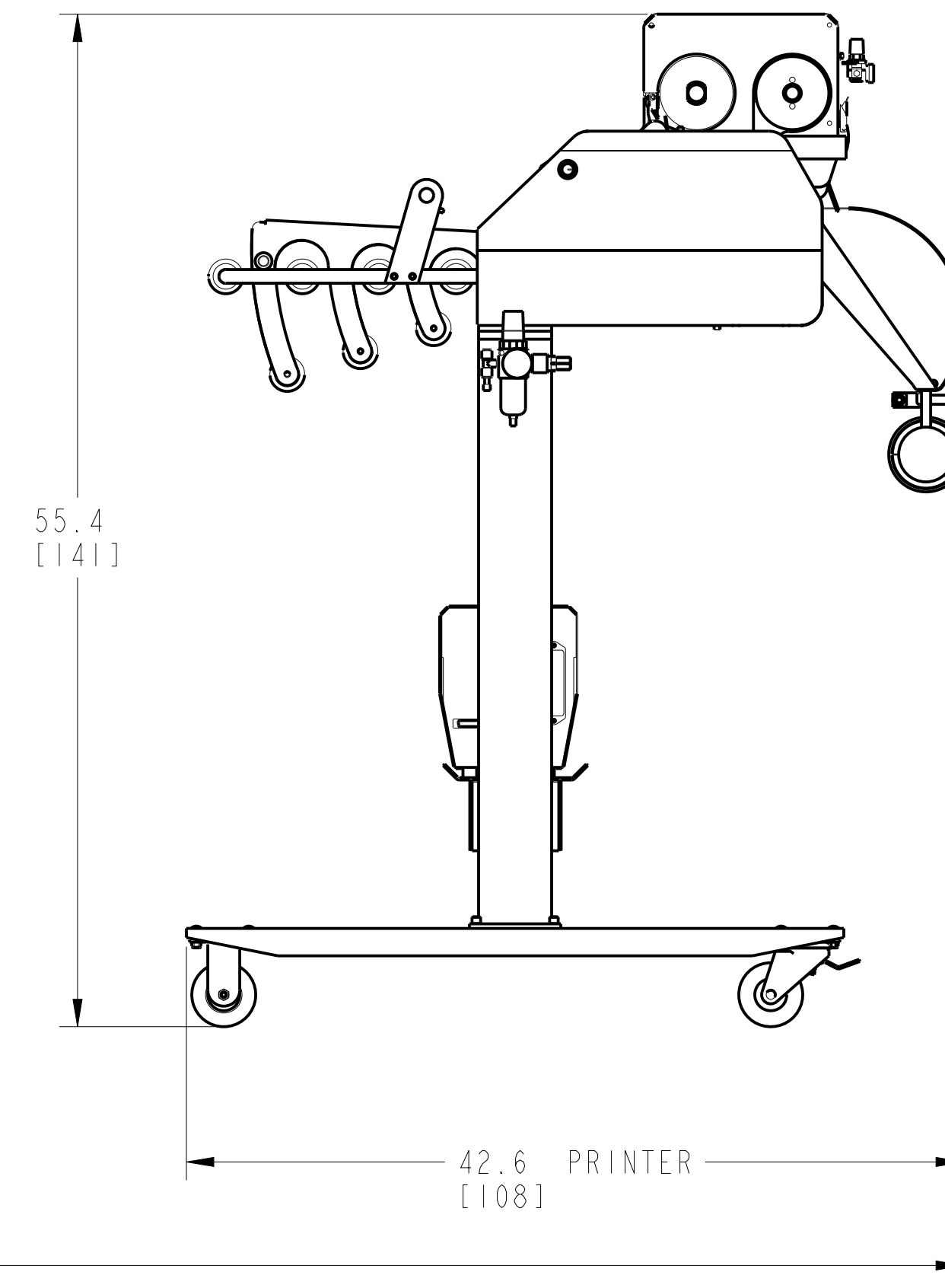
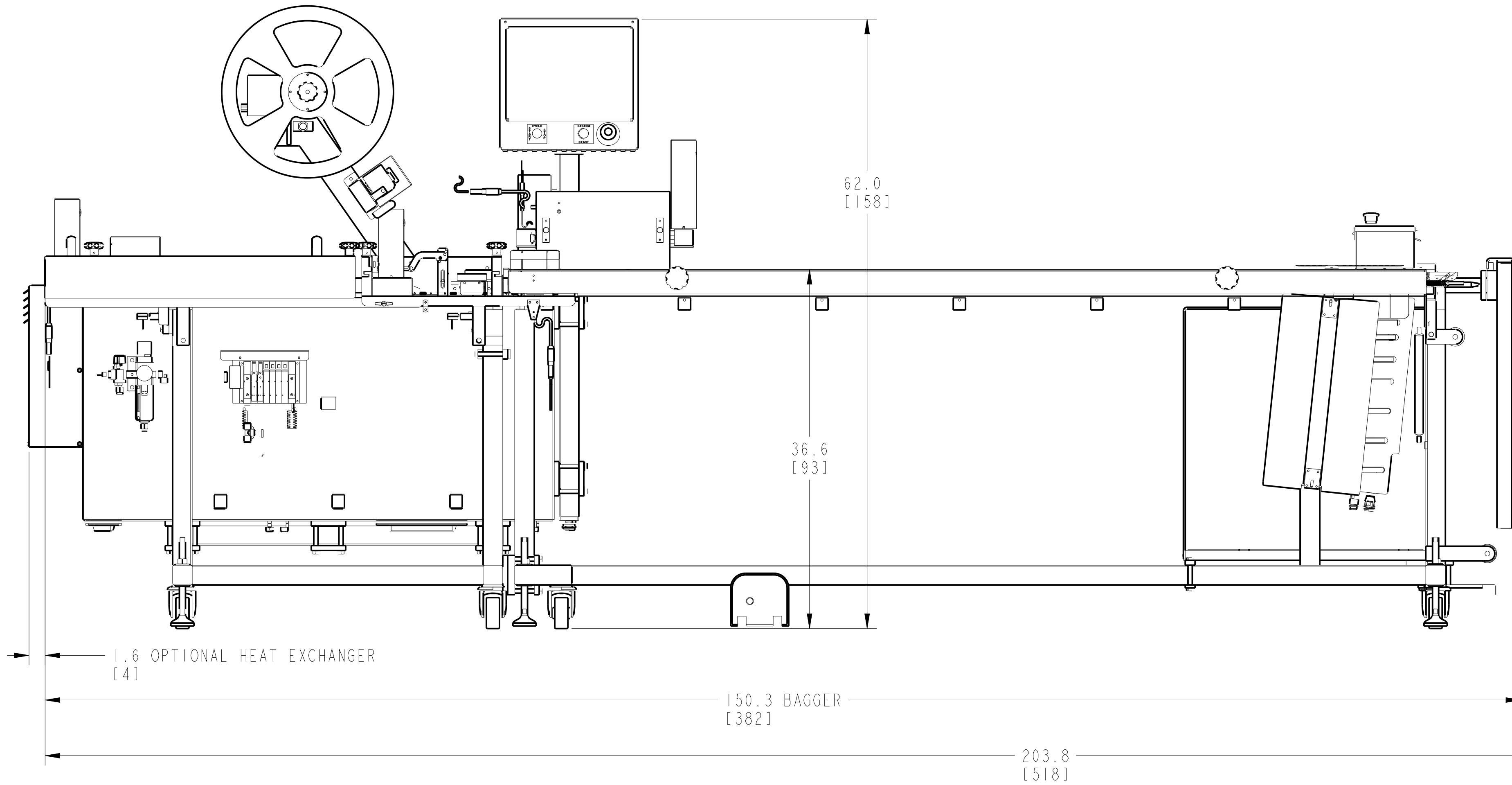


- TECHNICAL SPECIFICATIONS - BAGGER:
- WEIGHT: 1184 lbs [537kg]
  - ELECTRICAL: 110/230 VAC; 50/60 Hz; 12/6 AMPS
  - AIR: 5 CFM@80 PSI [142 litre/min] CLEAN DRY AIR
  - PRODUCT PASS THROUGH: 6 IN [15,2 cm]
  - PRODUCT WEIGHT CAPACITY: UP TO 15 lbs [6,8 kg] WITH SUPPORT CONVEYOR
- TECHNICAL SPECIFICATION - PRINTER:
- WEIGHT: 210 lbs [95 kg]
  - ELECTRICAL: 115/230 VAC; 50/60 Hz
  - AIR; LESS THAN 1 CFM@45 PSI [28 litre/min] CLEAN DRY AIR
  - LABEL SIZE: UP TO 4 IN WIDE [10 cm] UP TO 20 IN LONG [50,8 cm]

46.3  
[118]

OPTIONAL HEAT EXCHANGER  
ALLOW 6" MINIMUM CLEARANCE  
FOR PROPER AIR FLOW



55.4  
[141]

42.6 PRINTER  
[108]

1.6 OPTIONAL HEAT EXCHANGER  
[4]

150.3 BAGGER  
[382]

203.8  
[518]

62.0  
[158]

36.6  
[93]

REV	BY	DATE	ECN	DESCRIPTION
C	CW	8-25-17	1203	ADDED CABINET COOLER
B	CW	2-5-16	438	DRAWING FORMAT UPDATE, ADD TECHNICAL SPECIFICATIONS
A	CW	5-10-13		INITIAL RELEASE

FINISH	NONE
MATERIAL	NONE
MACHINE SURFACES TO BE NO GREATER THAN 125 13,21 ✓ UNLESS OTHERWISE NOTED PART MUST BE FREE OF BURRS AND SHARP EDGES	
TOLERANCE	INCHES mm
1 PLACE DIMS	±.1 ±.5
2 PLACE DIMS	±.02 ±.51
3 PLACE DIMS	±.005 ±.10
ANGULAR	±.1/2°
NOTICE: THIS DOCUMENT CONTAINS PROPRIETARY INFORMATION AND IT SHALL NOT BE USED OR REPRODUCED OR ITS CONTENT DISCLOSED, IN WHOLE OR PART, WITHOUT THE PRIOR WRITTEN CONSENT OF AUTOMATED PACKAGING SYSTEMS INC.	
INCH [MM]	THIRD ANGLE PROJECTION

**Automated PACKAGING SYSTEMS**  
10175 PHILIPP PARKWAY · STREETSBORO, OH 44241

DRAWING SIZE	SCALE	DRAWN BY	BOM REFERENCE NUMBER
D	1/8	C. WEBER	NONE
DATE: 5-10-13		SHEET 1 OF 1	
TITLE: FAS REVOLUTION, P1412C SPRINT PRINTER		DRAWING NO. FP201	

Fabricated & Documented to be RoHS Compliant

IN [CM]