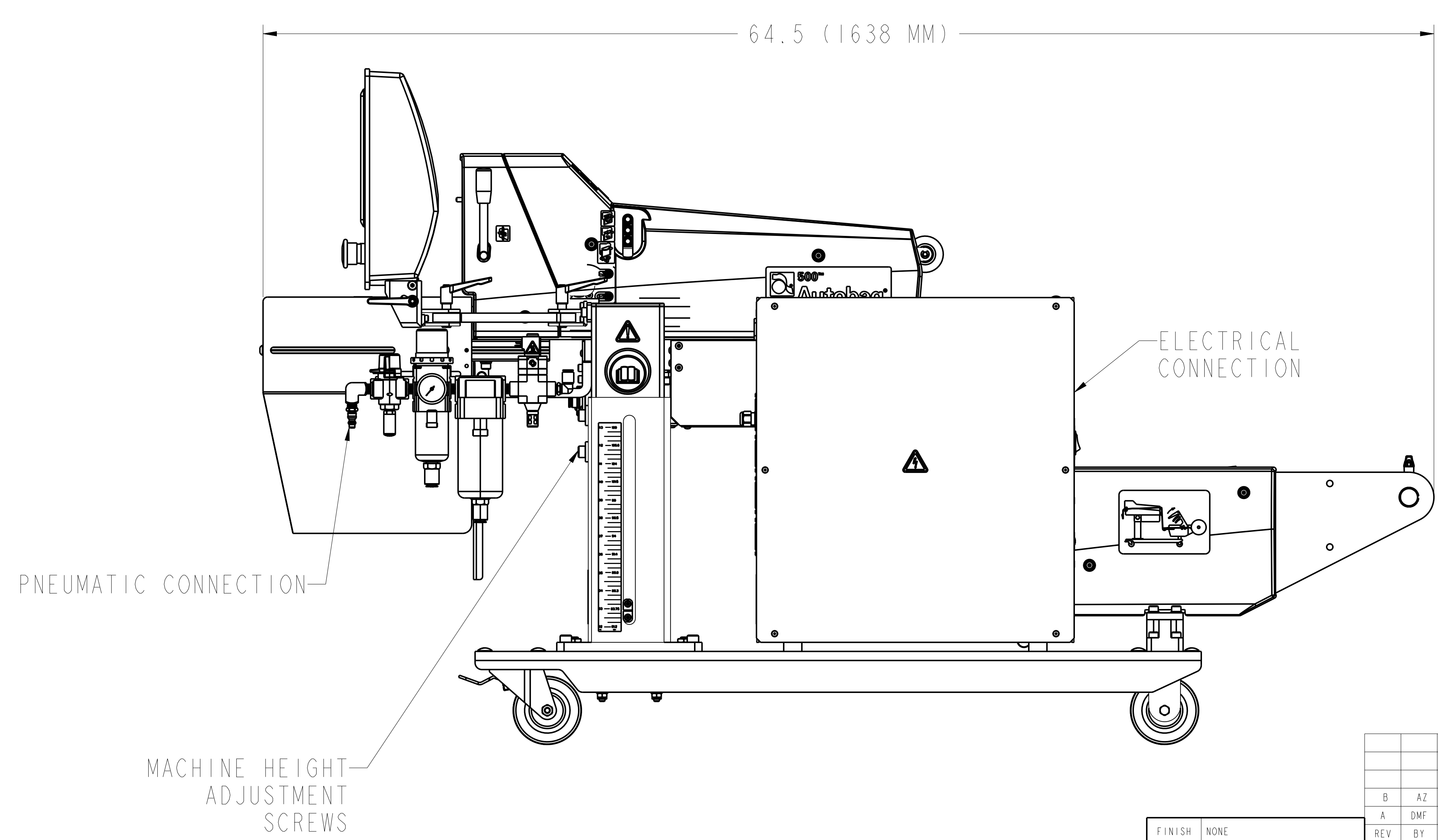
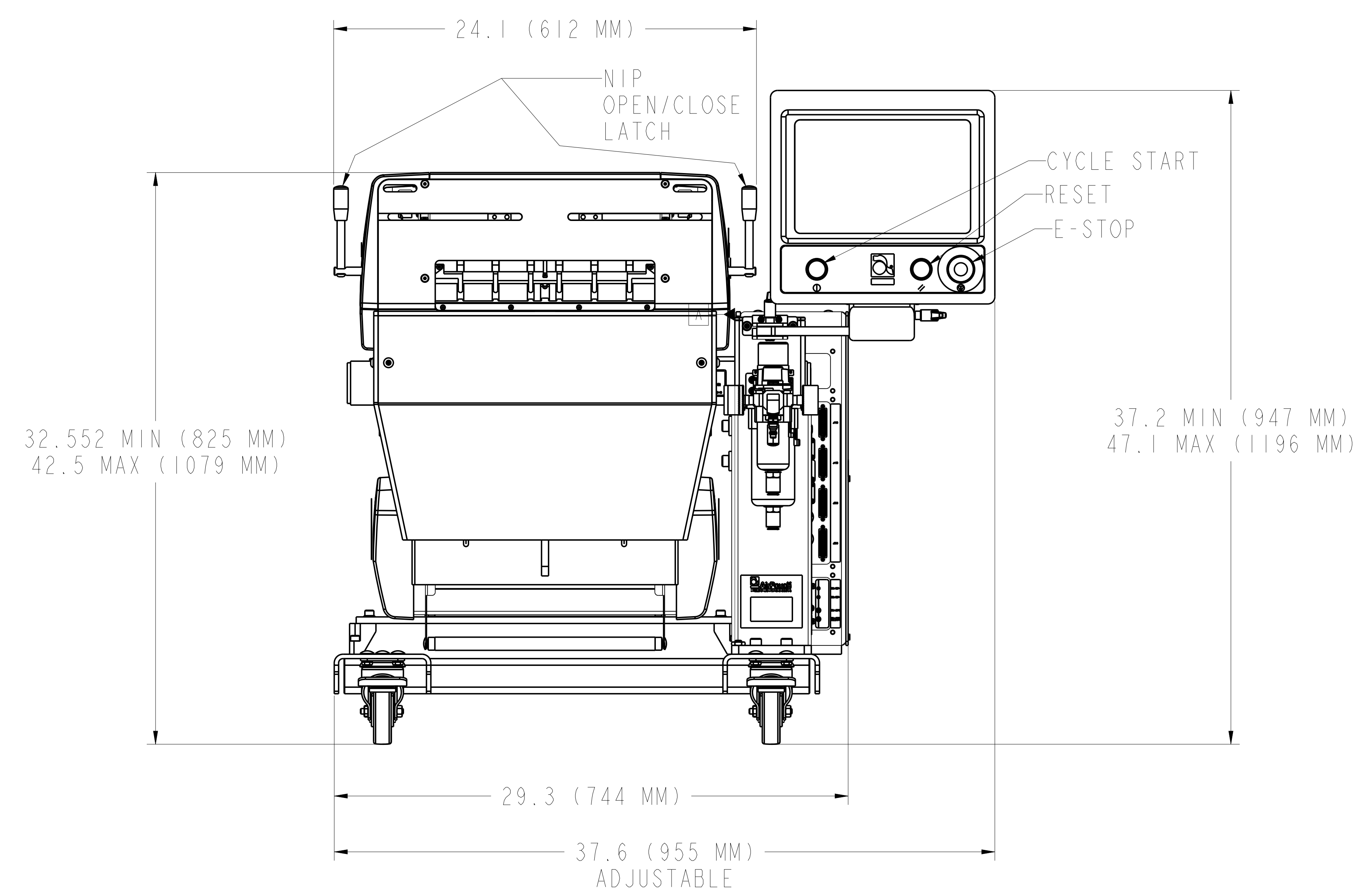
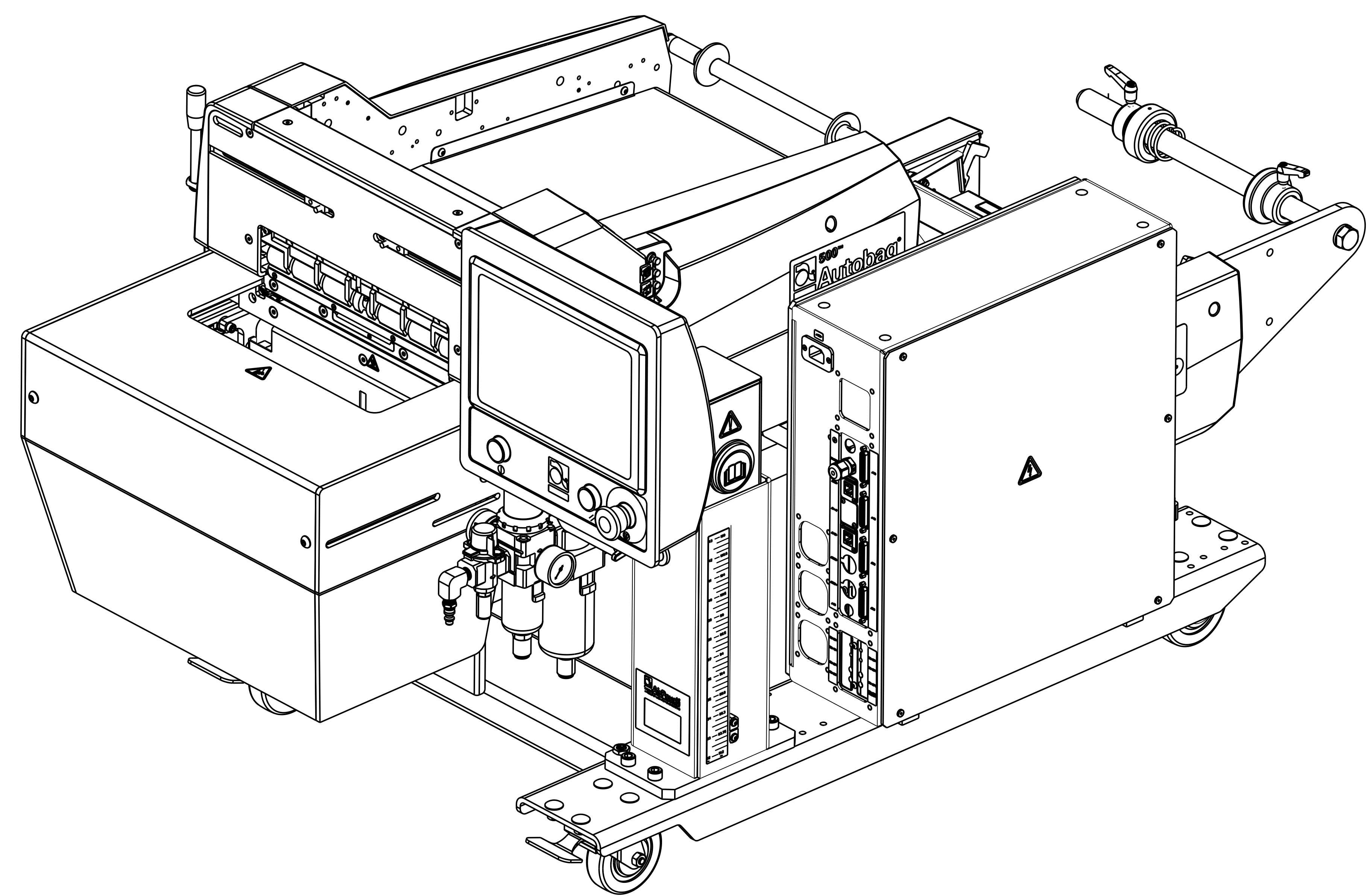
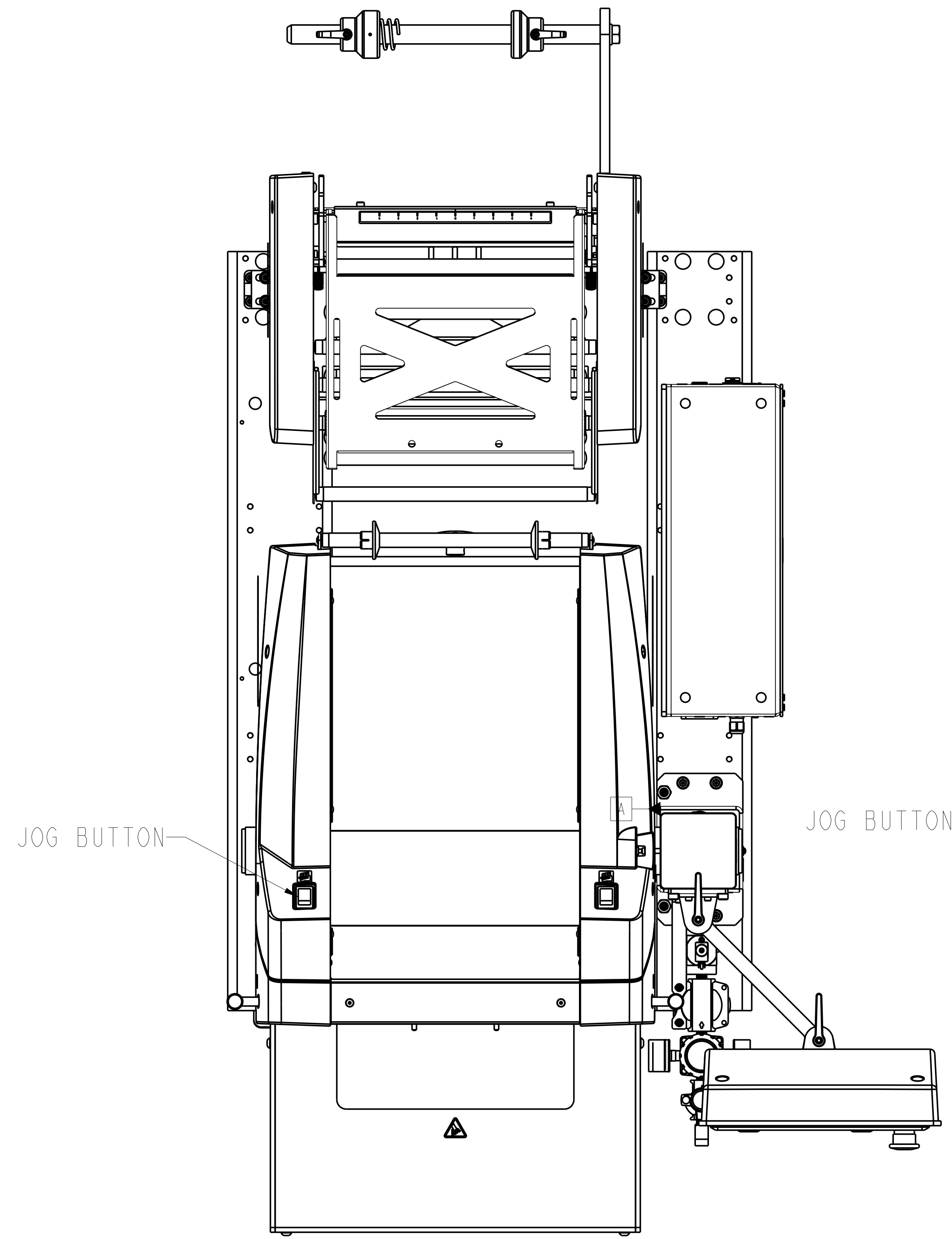


SPECIFICATIONS	
WEIGHT	350 LBS (158.6 KG)
ELECTRICAL	UNIVERSAL INPUT, 100V TO 240V VAC, 50/60 Hz POWER CONSUMPTION: 1500W (VA) MAX
AIR FEED	5 CFM/80 PSI OF CLEAN, DRY AIR
PASS-THROUGH	UP TO 5 INCHES (127 MM)
BAG THICKNESS	1.09 - 4.0 MIL
BAG SIZES	WIDTH: 2 to 12 INCHES (51 TO 305 MM)/ LENGTH: 3 to 20 INCHES (76 TO 508 MM)
WEIGHT CAPACITY	UP TO 5 LBS (2.3 KG)(WITH LOAD SHELF)



Fabricated & Documented to be RoHS Compliant

REV	BY	DATE	ECN	DESCRIPTION
B	AZ	1-23-20		METRIC DIMENSIONS
A	DMT	10-4-16	AB3	RELEASED

FINISH	NONE
MATERIAL	SEE B/M
MACHINE SURFACES TO BE NO GREATER THAN 125 (3.2) ✓ PARTS SURFACES TO BE NO GREATER THAN 125 (3.2) ✓ PARTS MUST BE FREE OF BURRS AND SHARP EDGES	
TOLERANCES	FRACTIONS DECIMALS
FRACTIONS	FRACTIONS DECIMALS
3 PLACE DIM	± .005
2 PLACE DIM	± .01
1 PLACE DIM	± .05
UNLESS OTHERWISE SPECIFIED	

DRAWING SIZE	SCALE	DRAWN BY	DATE	REV	DATE	DESCRIPTION
E	1/4	DMT	10-4-16			

Automated PACKAGING SYSTEMS	
10175 PHILIPP PARKWAY - STREETSDORO, OH 44241	
FOOTPRINT, AB 500	FP229