

DESCRIPTION

The AutoLabel™ 3000P™ series of thermal transfer printers, compatible with AUTOBAG® brand Sidepouch baggers, enable inline printing of graphics, text and barcodes directly on the AUTOBAG® bag, eliminating the need for a separate labeling operation. This printer supports both linear and 2D barcodes in a wide variety of symbologies for maximum flexibility in product identification, tracking and compliance labeling. Resident and downloadable fonts are ideal for lot or date codes and other human-readable product information. High resolution graphics printing allows visual verification and branding on the package. The AutoLabel 3000P prints labels up to 4" wide x 20" long. Print registration maintains a tolerance of 1/16" and target registration control enables precision adjustments while the printer is running. The 3000P standalone printer configuration consists of one AutoLabel 3000P printer that is mounted to a stand. The imprinter prints on the top of the bag web. The 3000P Prism imprinters can print the top and bottom of the bag web and support printing in a different color on each side of the bag.

KEY BENEFITS



Operational
Efficiency

- Available in 200, 300, and 600 dpi resolution.
- Supports Carl Valentin Print Language and emulates ZPL II programming.
- Improved quality at higher print speeds (Up to 12"/sec, 600 dpi Up to 6"/sec).
- Faster index speed improves productivity / shorter ROI.
- No air required allows simpler adjustment.
- Easy to navigate menu structures.
- Nip pulls material improves registration / sensing.
- Modern and clear fonts.
- Less gap between labels (ribbon savings).



Product
Integrity

- Simpler design.
- Easier to unlock for maintenance.
- More accessible ribbon loading and maintenance.

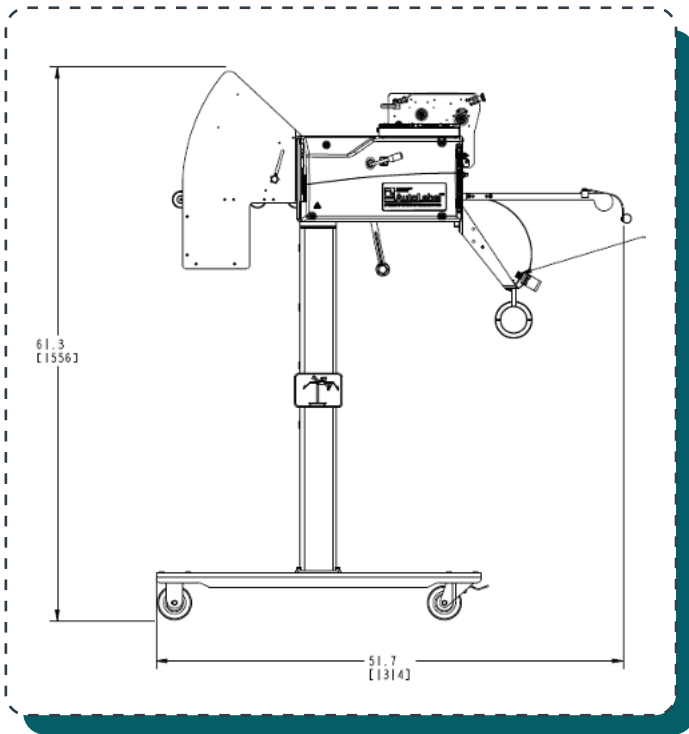


TECHNICAL DATA

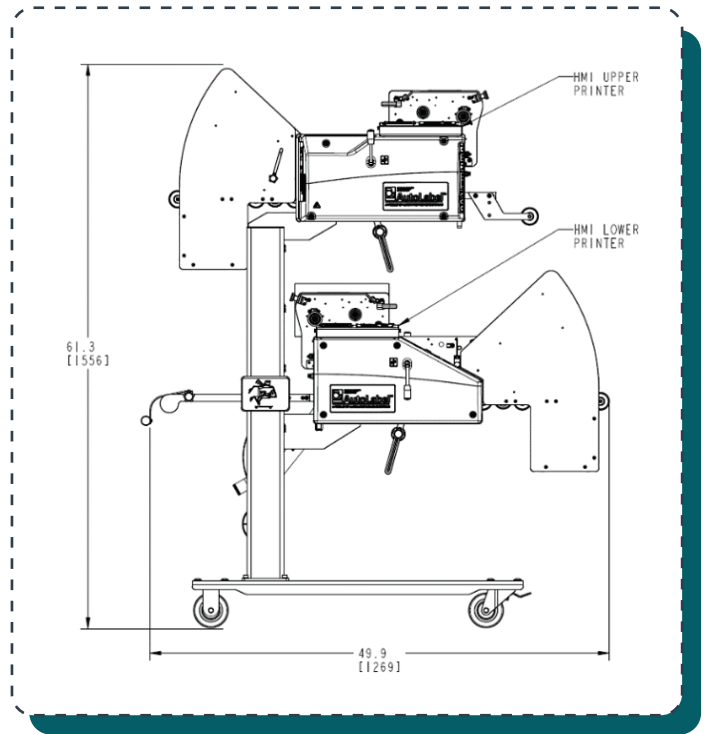
	AL3000P SA	AL3000P PRISM
DIMENSIONS (W x L x H):	40.0 in. x 51.7 in. x 61.3 in.	44.3 in. x 49.9 in. x 61.5 in.
WEIGHT:	250 lbs.	390 lbs.
ELECTRICAL:	100-240VAC Single Phase 50/60Hz	100-240VAC Single Phase 50/60Hz
POWER CONSUMPTION:	260 Watts	260 Watts
BAG SIZES (WIDTH):	2 in. to 18 in.	2 in. to 18 in.
CONNECTIVITY:	Ethernet, USB and Serial	Ethernet, USB and Serial
LABEL DETAILS (W x L)*:	Up to 4 in. x Up to 20 in.	Up to 4 in. x Up to 20 in.

*Label dimensions are dependent on bag size.

LINE LAYOUT EXAMPLE



AL3000P Stand-Alone



AL3000P Prism