

DESCRIPTION

The AutoLabel™ 600P™ series of thermal transfer printers, compatible with AUTOBAG® brand baggers, enable inline printing of graphics, text and barcodes directly on the AUTOBAG® bag, eliminating the need for a separate labeling operation. This printer supports both linear and 2D barcodes in a wide variety of symbologies for maximum flexibility in product identification, tracking and compliance labeling. Resident and downloadable fonts are ideal for lot or date codes and other human-readable product information. High resolution graphics printing allows visual verification and branding on the package. The AutoLabel 600P prints labels up to 4" wide x 20" long. Print registration maintains a tolerance of 1/16" and target registration control enables precision adjustments while the printer is running.

- The 600P Single printer with stand configurations consists of one AutoLabel 600P printer that is mounted to a stand. The single head imprinter prints on the top of the bag web.
- The 600P MultiPrint with stand configurations consists of two AutoLabel 600P imprinters and that are mounted to a stand. The MultiPrint™ imprinter can print two colors on the top of the bag web.
- The 600P Prism with stand can print the top and bottom of the bag web with one or two separate colors.

KEY BENEFITS



Operational
Efficiency

- Available in 200, 300, and 600 dpi resolution.
- Supports Carl Valentin Print Language and emulates ZPL II programming.
- Improved quality at higher print speeds (Up to 12"/sec, 600 dpi Up to 6"/sec).
- Faster index speed improves productivity / shorter ROI.
- No air required allows simpler adjustment.
- Easy to navigate menu structures.
- Nip pulls material improves registration / sensing.
- Modern and clear fonts.
- Less gap between labels (ribbon savings).



Product
Integrity

- Simpler design.
- Easier to unlock for maintenance.
- More accessible ribbon loading and maintenance.

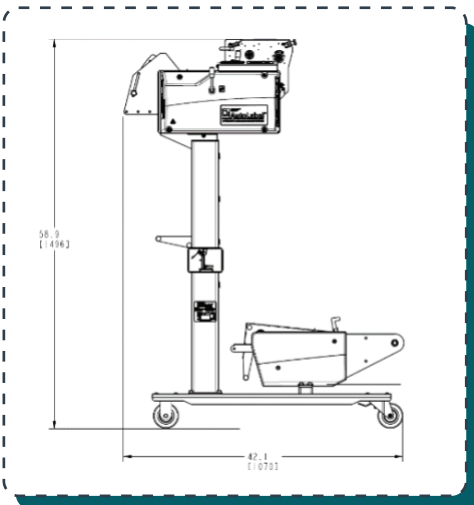


TECHNICAL DATA

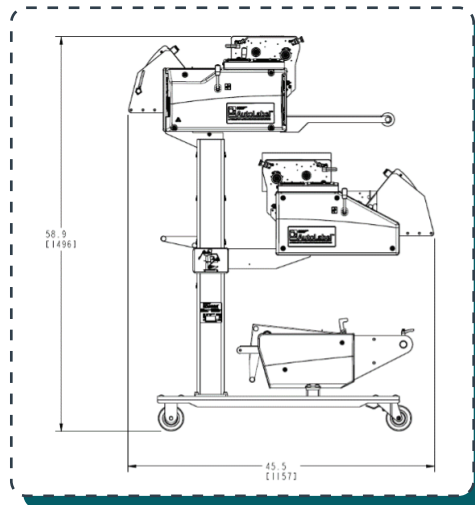
	600P SA	600P PRISM	600P MULTI
DIMENSIONS (W x L x H):	30.9 in. x 42.1 in. x 58.9 in.	36.1 in. x 45.5 in. x 58.9 in.	30.9 in. x 43.4 in. x 58.9 in.
WEIGHT:	190 lbs.	280 lbs.	280 lbs.
ELECTRICAL:	100-240VAC Single Phase 50/60Hz	100-240VAC Single Phase 50/60Hz	100-240VAC Single Phase 50/60Hz
POWER CONSUMPTION:	260 Watts	260 Watts	260 Watts
BAG SIZES (WIDTH):	2 in. to 16 in.	2 in. to 16 in.	2 in. to 16 in.
CONNECTIVITY:	Ethernet, USB and Serial	Ethernet, USB and Serial	Ethernet, USB and Serial
LABEL DETAILS (W x L)*:	Up to 4 in. x Up to 20 in.	Up to 4 in. x Up to 20 in.	Up to 4 in. x Up to 20 in.

*Label dimensions are dependent on bag size.

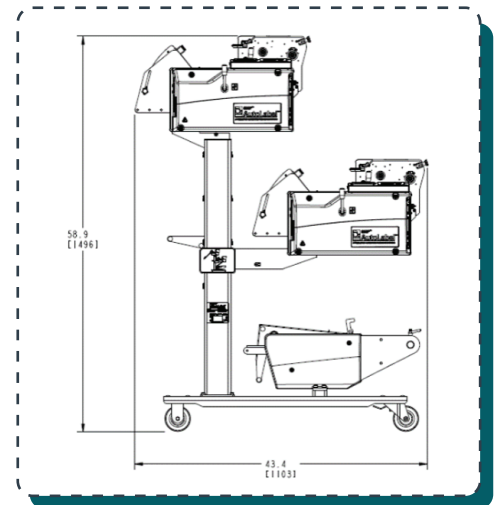
LINE LAYOUT EXAMPLE



600P Stand-Alone



600P Prism



600P Multi