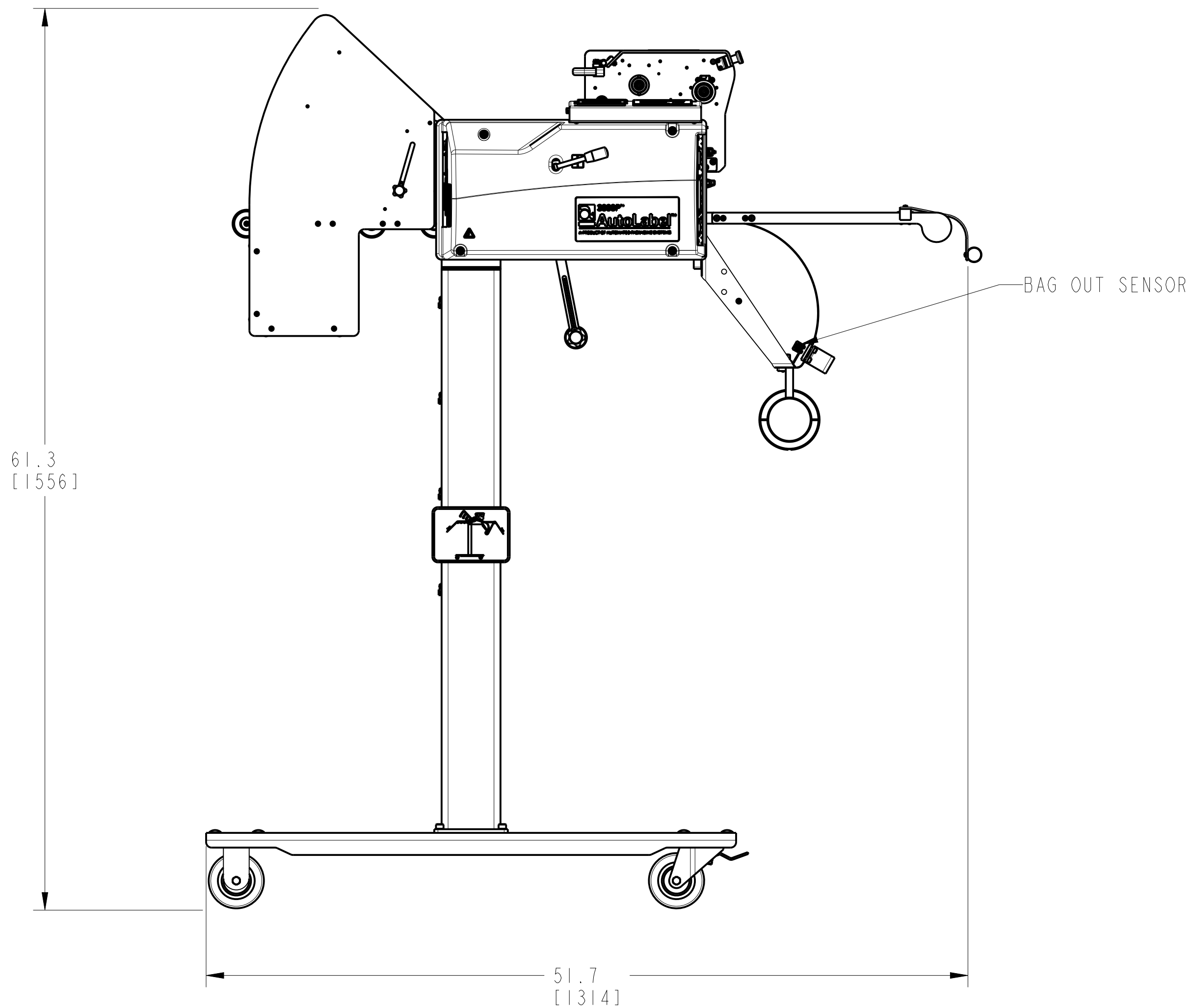
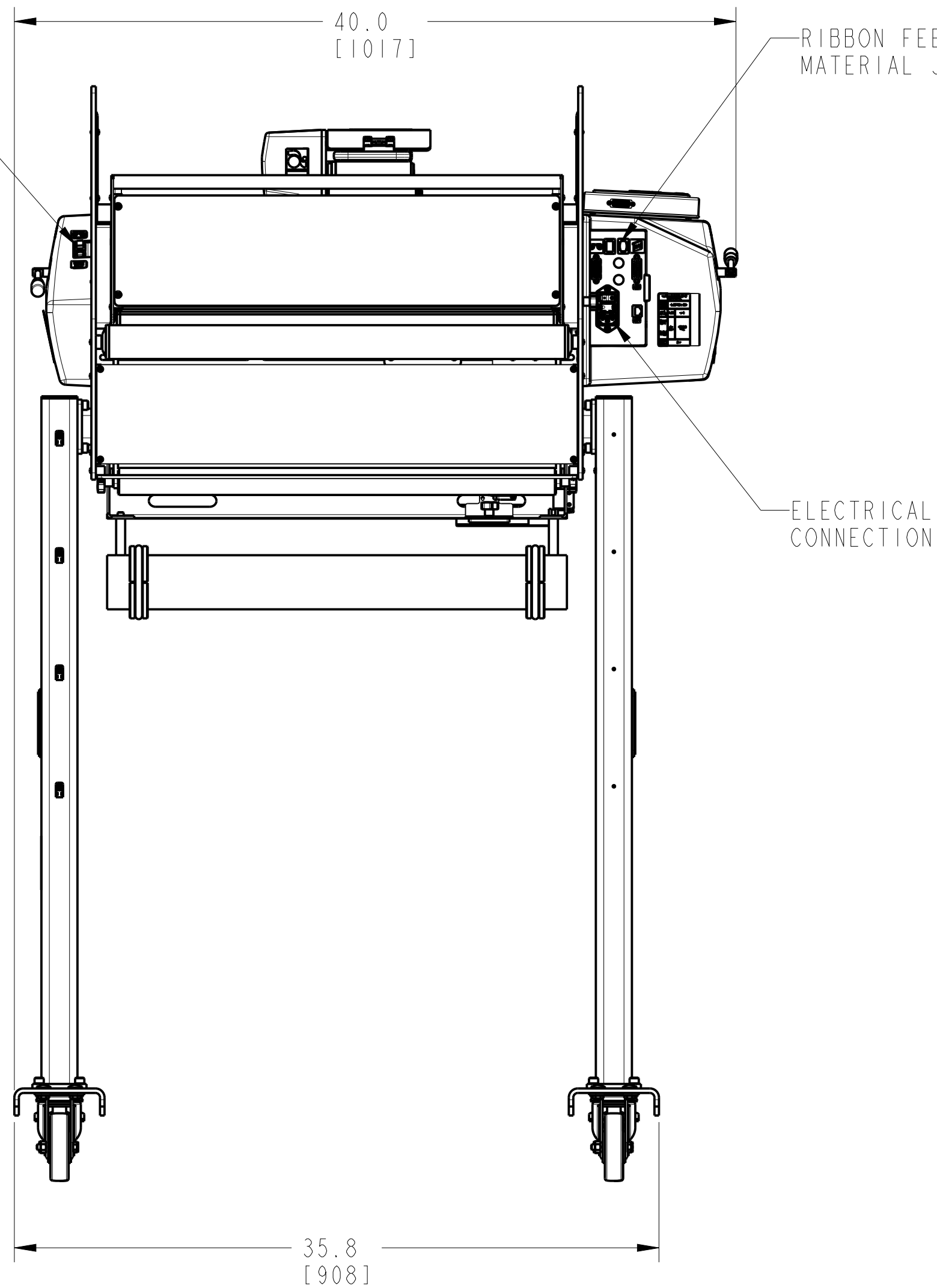


RIBBON FEED MATERIAL JOG



FINISH	N/A
MATERIAL	N/A
PART MUST BE RoHS COMPLIANT PER SEE POLICY 5080AA-01	
MACHINE SURFACES TO BE NO GREATER THAN 125 13.21 UNLESS OTHERWISE NOTED	
BREAK ALL INSIDE/OUTSIDE CORNERS 0.005/0.030 UNLESS OTHERWISE NOTED	
TOLERANCE	INCHES MM
1 PLACE DIMS	± .1 ± 2.5
2 PLACE DIMS	± .02 ± 0.51
3 PLACE DIMS	± .005 ± 0.10
ANGULAR	± 1/2°
THE INFORMATION CONTAINED IN THIS DOCUMENT IS THE SOLE PROPERTY OF SEALED AIR. ANY REPRODUCTION IN PART OR AS A WHOLE WITHOUT WRITTEN PERMISSION OF SEALED AIR IS PROHIBITED.	
INCH [MM]	THIRD ANGLE PROJECTION

REV	BY	DATE	ECM	DESCRIPTION
A	LDC	2024-01-29	5*0281	NEW DRAWING
Autobag[®] BRAND AUTOMATED SYSTEMS				
DRAWING SIZE	SCALE	DRAWN BY	BOM REFERENCE NUMBER	
D	5/32	NAME: LDC	---	
TITLE		DATE: 01-29-24	DRAWING NO.	SHEET 1 OF 1
FOOTPRINT, AL3000P STAND-ALONE			FP300	REV