

Introducing the Autobag® 500™ Bagging System – The new flagship in bag packaging machinery optimizes reliability, flexibility and ergonomics

The Autobag® 500™ bagger is a technologically-advanced, automatic filling and sealing machine designed for reliability, flexibility and optimizing packaging throughput. Capable of cycling at speeds over 100 bags per minute, this system delivers maximum machine uptime while lowering total cost of ownership.

State-of-the-art engineering has led to an innovative, inherently safe design. No light curtains or double palm switches are required to achieve safe hand-load operation. The Autobag 500 is configurable for left- or right-hand access to the HMI, cycle switch and bag loading area, improving ergonomics and operator productivity.

Flexibility has been built into the system, allowing the Autobag 500 to meet the needs of any packaging operation. The open design makes this bagger highly compatible with Autobag and third-party counters, scales and infeeds. The Autobag 500 can also be networked to facilitate full pack station integration and central monitoring. When integrated with the AutoLabel 500™ inline imprinter, a complete Print-and-Pack™ station is achieved.

A straightforward, simple design with very few moving parts reduces lifetime cost and improves reliability, while on-board diagnostics and modular components simplify maintenance.

When used with genuine Autobag pre-opened bags-on-a-roll or bags-in-a-box if applicable, the Autobag 500 ushers in the next evolution of high-quality, reliable and flexible bag packaging, backed by the industry's most comprehensive engineering and field service network.

Markets Served

- Aerospace & Defense
- Apparel & Accessory Packaging
- Automotive
- Electronics
- Hardware & Fasteners
- Healthcare
- Hobby & Craft
- Household Products
- Personal Products
- Pet Products
- Toys



Easily integrates with inline printers, counters, scales, and conveyors for semi- to fully-automatic bagging



Modular components and dedicated service access simplify maintenance and repairs to maximize uptime



AutoTouch™ Control Screen accesses operator tutorials, help system, on-board diagnostics, and performance monitoring



Multi-position unwind with tension control simplifies changeover

*Autobag 500 with optional AutoLabel 500 printer shown

Features and Benefits

More Options

More bag size options; from 2" W x 2.5" L to 12" W x 20" L supported (36" long unsupported)

Streamlined

Processor controlled servo motors, ethernet-capable networking, and flexible mechanical design streamline integration

Compact

Compact footprint minimizes floor space

Adjustable

Simple height adjustment and casters for operator comfort and portability

Configuration Options

A 45 degree tilt option is available for orienting long or delicate products



Flexible

Adjustable pass-through up to 5" for maximum flexibility and packaging efficiency



Ensures Consistent Quality

Newly designed bag sealer area combined with improved temperature control and optional seal-flatteners ensure consistent, high-quality seals



Largest Supply

We maintain over 100 styles of stock bags and manufacture custom bags that include printing in up to 10 colors and a variety of special features



System Matched Bags



Service & Support

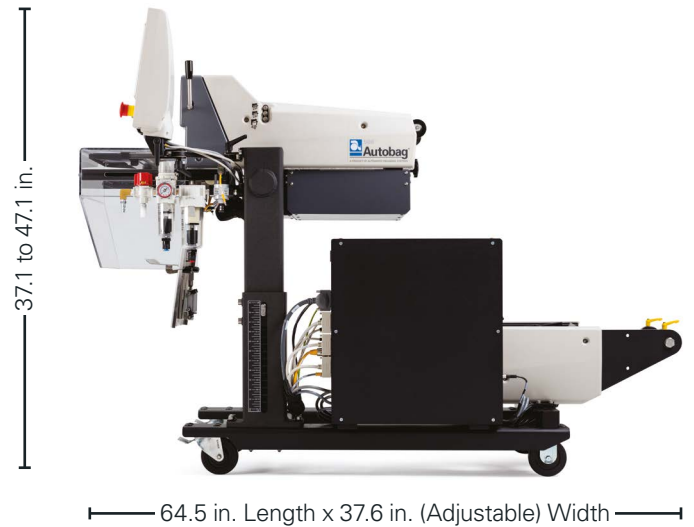


Custom Engineering & Integration

Optional Additions

- Range of Infeed Funnels
- Seal Flatteners
- Raised Unwind
- SimpleCount™ Counting System
- Product Load Tray
- Bags-in-a-box Adapter

Technical Information



Weight	350 lbs.
Electrical	Universal Input: 110V to 240V VAC, 50/60 Hz Power Consumption: 1500 Watts (VA) max
Air Feed	5 CFM/80 psi of clean, dry air
Pass-Through	5 in. max
Bag Thickness	1.09 – 4.0 mil
Bag Sizes	W 2 to 12 in. L* 2.5 to 20 in. (36 in. L unsupported) <small>*There are two versions, Long and Short. Long configuration min length is 5 in. Short min length is 2.5 in.</small>
Weight Capacity	Up to 5 lbs. (with load shelf)

888-AUTOBAG info@autobag.com autobag.com

Automated Packaging Systems Inc. 10175 Philipp Parkway, Streetsboro, Ohio 44241

© Sept 2018 Automated Packaging Systems. Features, Options & Technical Specifications subject to change. The use of the © or ™ symbol indicates that Automated Packaging Systems, Inc. has registered or is otherwise claiming trademark rights in the United States. These marks may also be registered in other countries and common law rights may apply in countries where such rights are recognized. 09/18 2.5M

