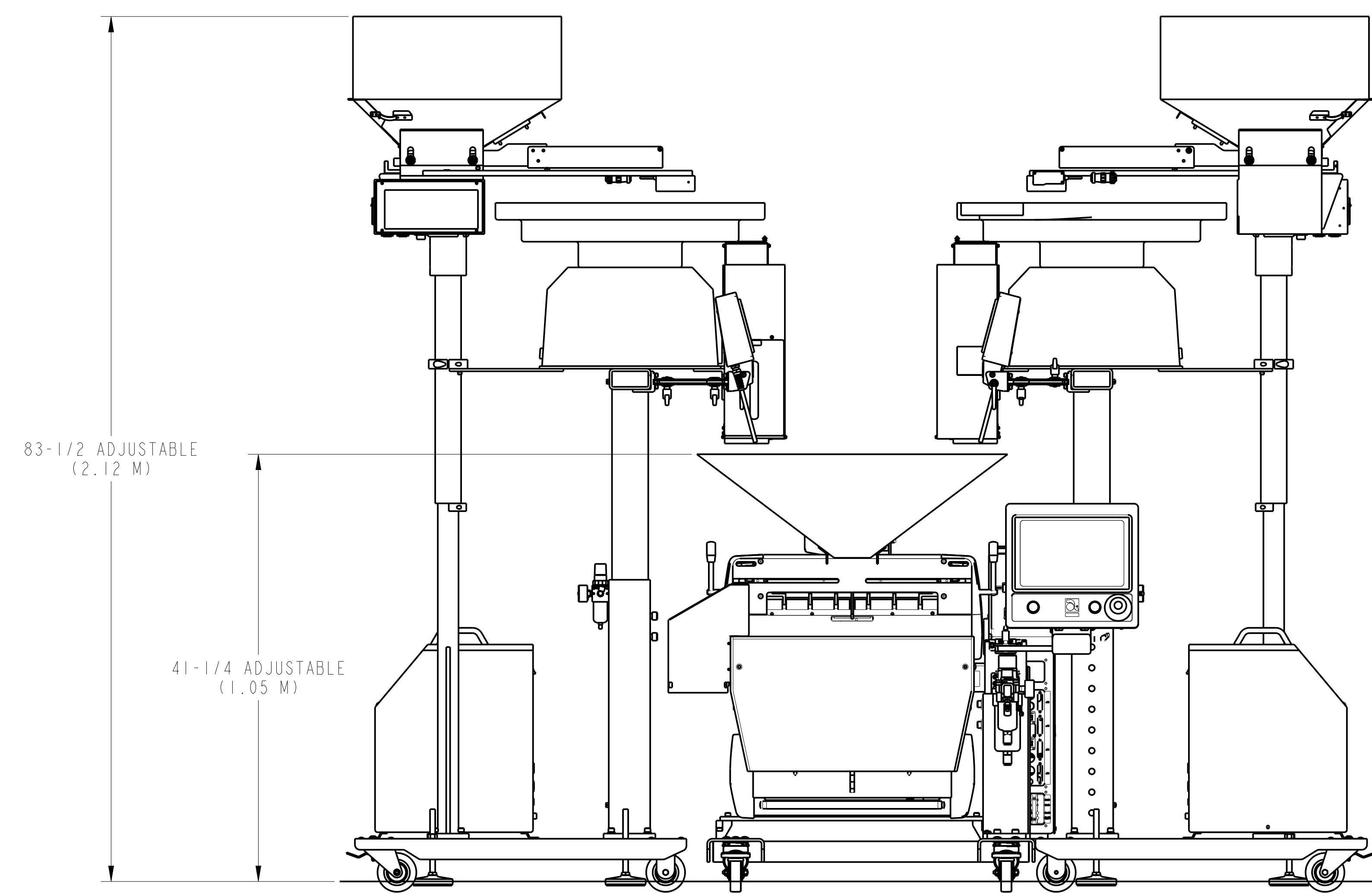
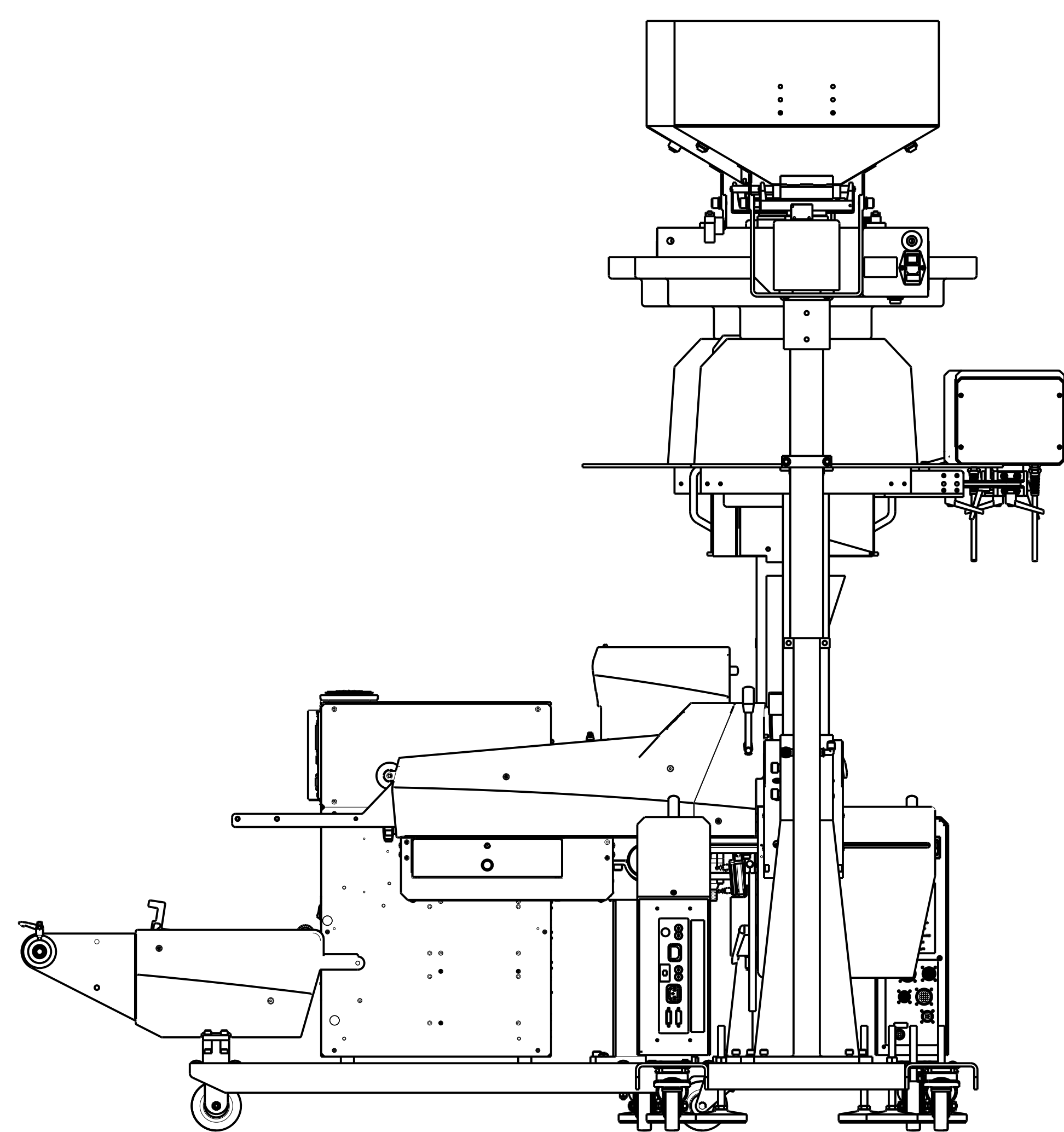
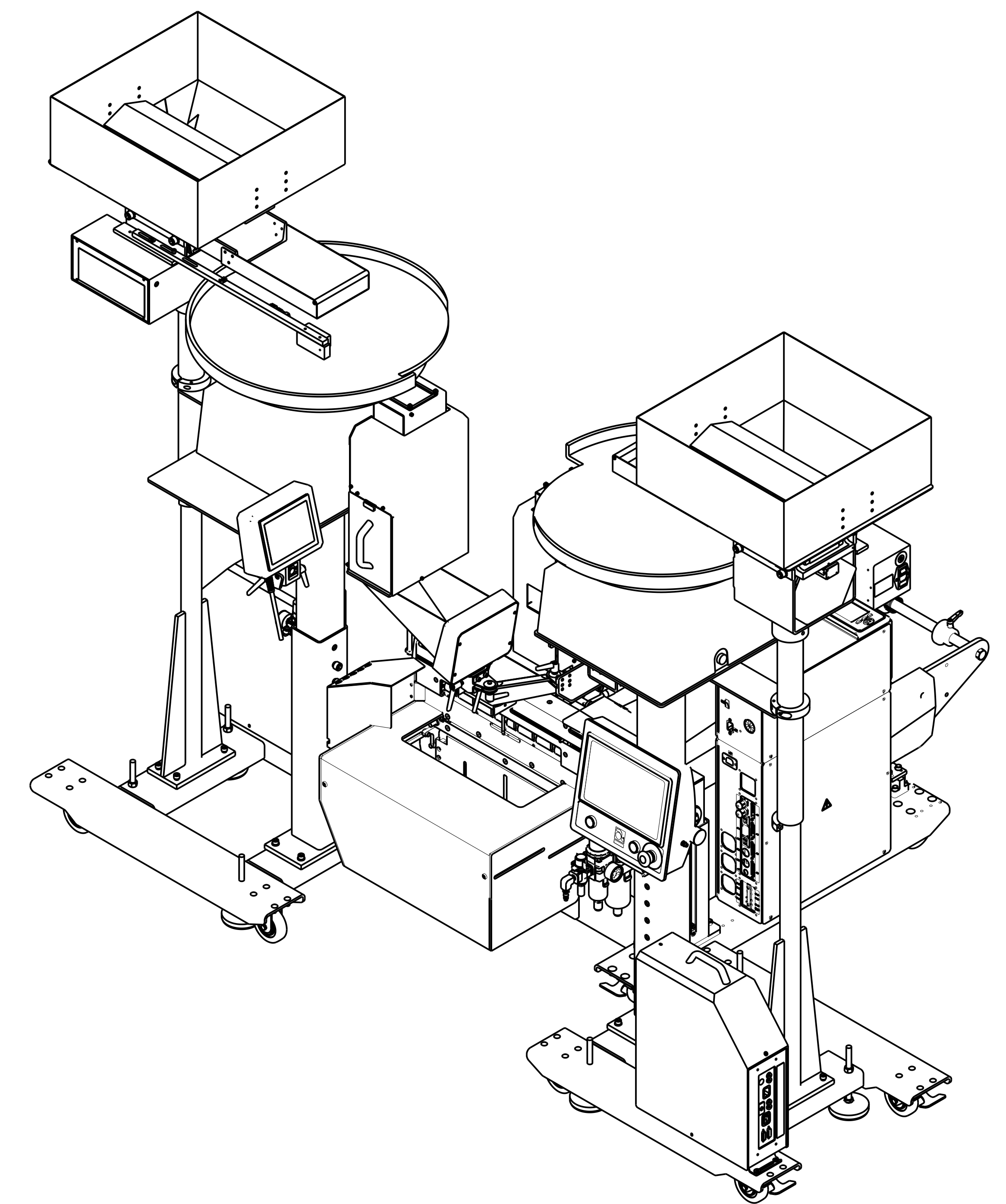
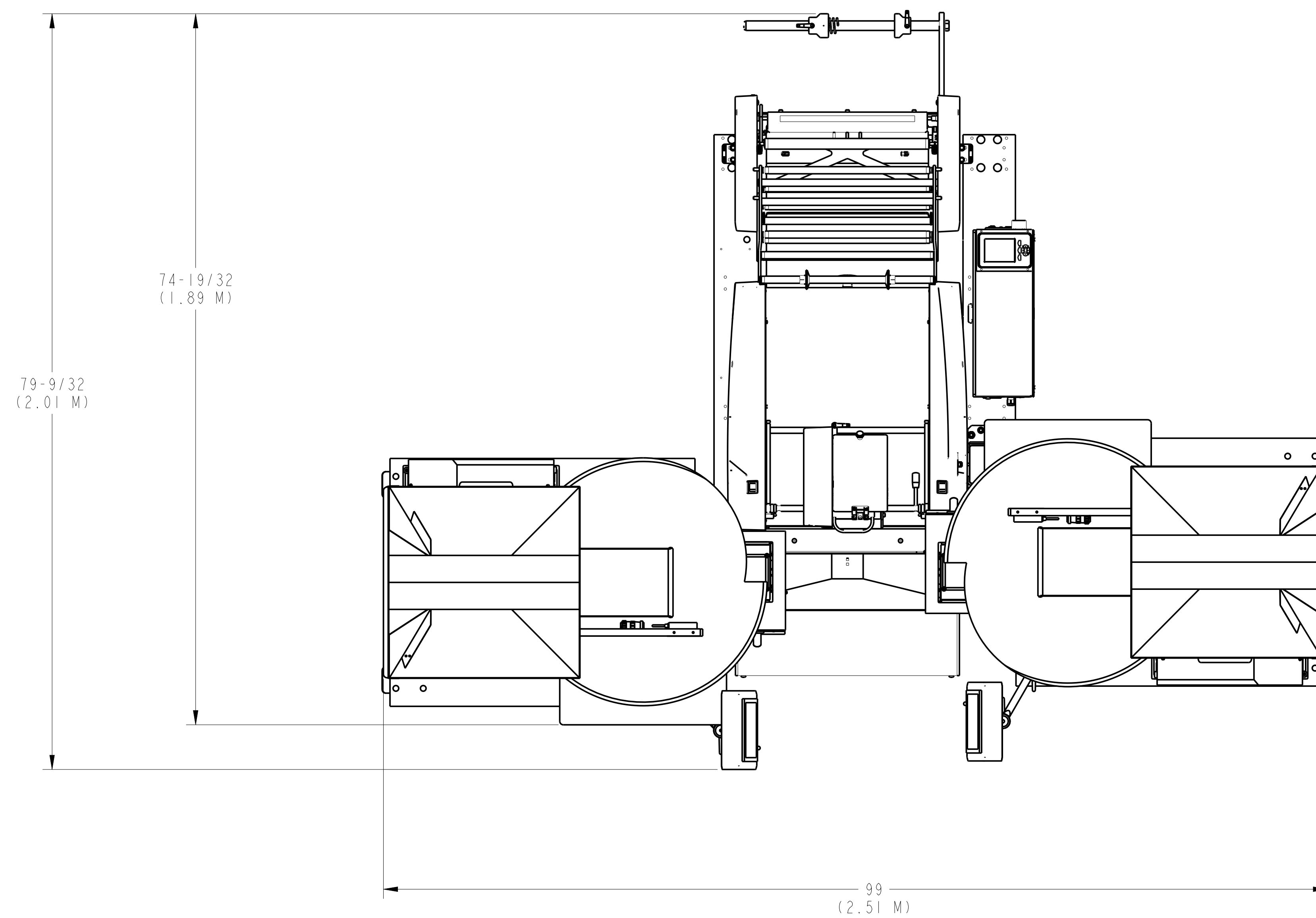


SPECIFICATIONS - AB500	
WEIGHT	350 LBS (158.6 KG)
ELECTRICAL	UNIVERSAL INPUT, 100V TO 240 VAC, 50/60 Hz POWER CONSUMPTION: 1500 W (VA) MAX
AIR FEED	5 CFM@80 80 PSI (144 LPM@ 5.5 BAR)
PASS-THROUGH	UP TO 5 INCHES (12.7 CM)
BAG THICKNESS	1.09 - 4.0 MIL
BAG SIZES	WIDTH: 2-12 INCHES (5.1 - 30.5 CM) LENGTH 3 -20 INCHES (7.6 - 50.8 CM)
WEIGHT CAPACITY	UP TO 5 LBS - SUPPORTED (2.268 KG)

SPECIFICATIONS - AC200 (EA)	
WEIGHT	350 LBS (158.6 KG)
ELECTRICAL	UNIVERSAL INPUT, 100V TO 240 VAC, 50/60 Hz 12/6 AMPS
AIR FEED	5 CFM@80 80 PSI (144 LPM@ 5.5 BAR)



REV	BY	DATE	ECN	DESCRIPTION

Automated PACKAGING SYSTEMS	10175 PHILIPP PARKWAY - STREETSBORO, OH 44221
DRAWING NO. FP259	DATE: 12-20-18
TITLE: FOOTPRINT, AB500 (2) AC200 COUNTERS	SCALE: 1/8"
DESIGNER: C. WEDER	DRWING NO. FP259
CHECKED BY: 	DATE:

FINISH:

MATERIAL:

NOTE: THIS DOCUMENT CONTAINS PROPRIETARY INFORMATION AND IS ONLY TO BE USED BY PERSONNEL OF THE COMPANY OR ITS AFFILIATES. IT IS NOT TO BE REPRODUCED OR TRANSMITTED IN ANY FORM OR BY ANY MEANS, ELECTRONIC OR MECHANICAL, INCLUDING PHOTOCOPYING, RECORDING, OR BY ANY INFORMATION STORAGE AND RETRIEVAL SYSTEM.

THIRD ANGLE PROJECTION