



A PRODUCT OF AUTOMATED PACKAGING SYSTEMS

Introducing the Autobag® AB 180™ — Setting the pace in packaging technology.

Capable of bagging at speeds up to 80 bags per minute, this automatic filling and sealing machine has been designed to be simple to use, dependable and operationally flexible to give maximum machine uptime and packaging productivity. Package size changes can be achieved in less than 2 minutes using Autobag Bag-on-a-roll pre-formed bags.

Utilizing the very latest technology, Autobag Replace-n-Repair™ machine operating systems and the most advanced user touchscreen available, the AB 180 is the most reliable, and the easiest to use automatic bagging system available.

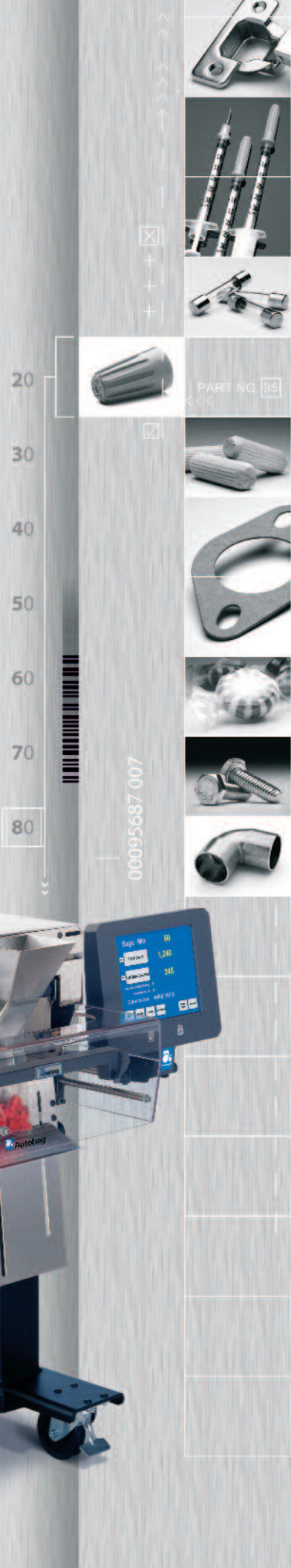
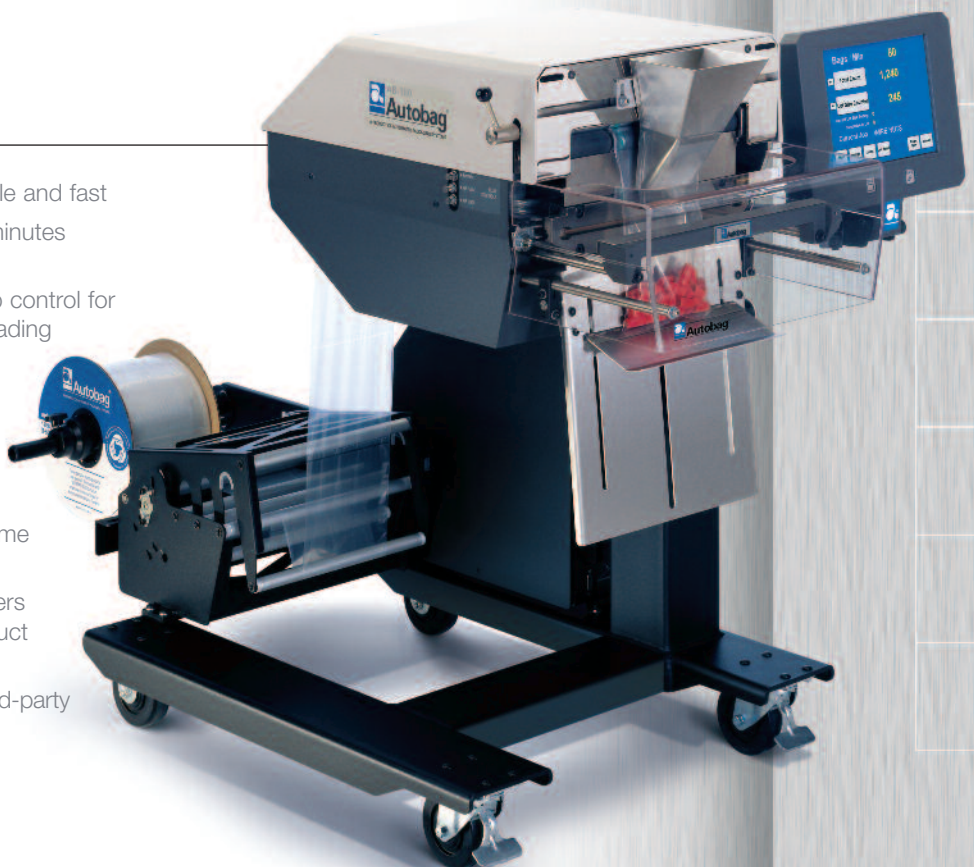
The large interactive AutoTouch™ Control Screen allows operators to quickly recall and set-up packing jobs. The system's high capacity memory makes multiple job storage easy, and the touchscreen offers a powerful diagnostic help tool to enable operators to rectify machine errors quickly and easily.

Using Autobag Bag-on-a-roll polyethylene bags, the AB 180 offers a fast and cost-effective packaging solution.



User Benefits

- Quick to set-up, easy to operate, reliable and fast
- Change bag size easily in less than 2 minutes for maximum machine uptime
- Powered Unwind provides positive web control for maximum cycle speed and accurate loading
- Operator friendly AutoTouch™ Control Screen for easy job set-up and control
- Built in diagnostics and help screens for rapid problem solving
- Replace-n-Repair™ system for vital components to ensure minimum downtime due to machine failure
- Combine with Autobag thermal imprinters for complete Print-n-Pack™ in-line product identification and labeling
- Can tie-in to a range of Autobag and third-party infeed equipment



Standard Features

- Color AutoTouch™ control screen interface: —10 inch screen, offers operator tutorials, data storage, help system and diagnostics —Performance monitoring e.g. production rates per job, bags-per-minute/hour, etc
- Powered unwind for positive bag-web control ensures minimum bag movement for accurate positioning and loading and for in-line printing accuracy
- On board memory stores job data ready for recall at a later time
- AutoThread™ automatic bag threading for quick and easy set up and change over
- System handshaking via RS-232 and AutoLink™ ports. This will allow for a tie-in to APS in-feeds and a wide array of third party equipment
- Simple mechanical height adjustment for added operator comfort
- Multiple language choice—English, Spanish, French and German available by making a selection on the touch screen
- Product Load Shelf to support heavy product applications and Bag Deflator for air evacuation prior to sealing



Modular Valve Pack

A pneumatic control system designed for productivity, reliability and fast addition or replacement of individual valves.



Modular E-Box.

Designed to increase uptime, the E-Box is decentralized for easy access to logic and control boards. For maximum uptime, the entire E-Box can be replaced in minutes.

Options

- Trim Seal
- Seal Flatteners
- Dual Optical Palm Switches
- Sectionalized in-feed trays
- Range of in-feed funnels
- Spare parts kits

Typical Applications

- Automotive & appliance parts
- Hardware & DIY
- Electrical & electronic
- Fasteners & connectors
- Plumbing & heating
- Hobby & craft
- Jewelry & novelty items
- Cosmetics & beauty aids
- Disposable health care



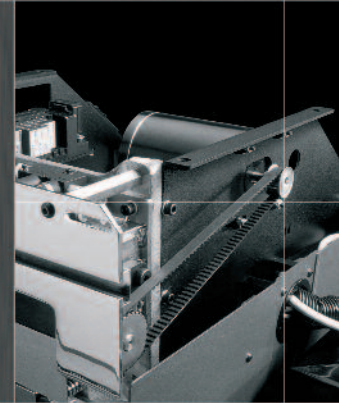
In-Line Integrated Packaging

is achieved by combining the PI 412c and AB 180 bagger with ancillary equipment. Autobag manufactures a complete line of infeed and imprinting equipment.

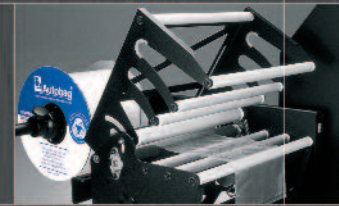


Mechanical Features

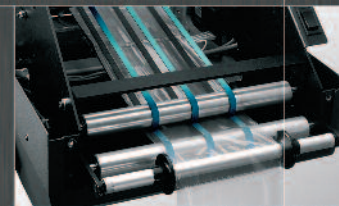
Stepper motor technology provides high-speed advancement and precise placement of the web of bags maximizing productivity.



Powered Unwind, exclusive to Autobag systems, provides web alignment and tension control for consistent film delivery to product load station.



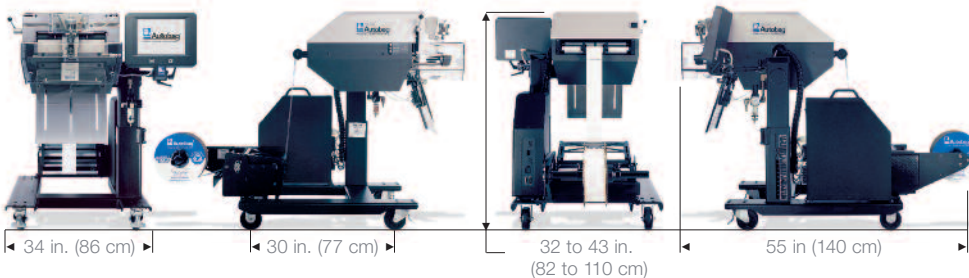
Opposing friction belt design traps the bag web to maintain a constant position for precise product loading and accurate sealing.



Automated Packaging Systems Inc.
 10175 Philipp Parkway
 Streetsboro, Ohio 44241
 Tel: 888-288-6224
 Fax: 330-342-2400

Technical Specifications

| | | | |
|--------------------|---------------------------------|-----------------------|-----------------------------------|
| Weight: | 270 lbs (123 kg) | Pass-Through: | 2.63 to 4.25 in. (6.7 to 10.8 cm) |
| Electrical: | 110/220 VAC switchable 50/60 Hz | Bag Thickness: | 1.0 to 5.0 mil |
| Air Feed: | 5 CFM/80 psi of clean, dry air | Bag Sizes: | W 2 to 11 in. L 3 to 22 in. |
| Dimensions: | | | |



The use of the ® or ™ symbol indicates that Automated Packaging Systems, Inc. has registered or is otherwise claiming trademark rights in the United States. These marks may also be registered in other countries and common law rights may apply in countries where such rights are recognized.

machines

materials

service

s y s t e m s a d v a n t a g e

Automated
 PACKAGING SYSTEMS

Visit or call us at
www.autobag.com
 888-AUTOBAG