



**BubbleWrap®**  
BRAND PACKAGING

# Flex

Inflatable Cushioning System

Versatile, inflatable cushioning, fast enough to keep up with the most demanding packaging operation



## INCREASED THROUGHPUT

The BUBBLE WRAP® brand Flex inflatable cushioning system produces materials at speeds up to 27m per minute.

Maximum and fast inflation of packaging material with the build in compressor makes manufacturing more productive, operators more efficient and delivers more products out the door on time. Throughput is increased as well thanks to long film rolls.

## HIGH RELIABILITY

Delays in production can slow down productivity. Limit the potential for throughput loss with the Flex inflatable cushioning system. Components are manufactured with high performance materials and coatings for long life system reliability.

## SYSTEM ACCESSORIES FOR EVERY CONFIGURATION

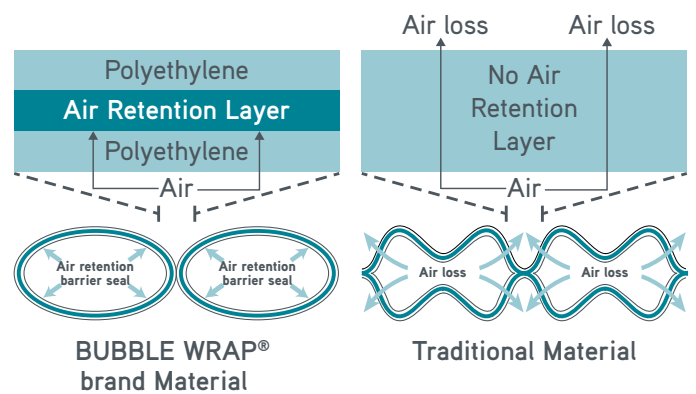
The Flex is supported by a range of accessories to increase the throughput including:

- System stand and roll winder, bins and dispensers for decentralised packaging environments
- Instasheet™ converting system
- Jet Stream Fit® delivery system

## INCREASED CUSTOMER EXPERIENCE

Attractive, protective, intuitive packages that can be readily reused and are recycle-ready\*. Multiple film patterns and bubble sizes designed for the right size solution, reducing material usage and improving the packaging process.

## THE DIFFERENCE IS IN THE BARRIER



*\*Degree of recyclability of the final package depends on the specific product configuration or components intended for recycling and the scope and availability of appropriate local recycling facilities.*





## SUSTAINABILITY

### MAXIMUM INFLATION REDUCES EXCESS MATERIAL AND REDUCES DAMAGE

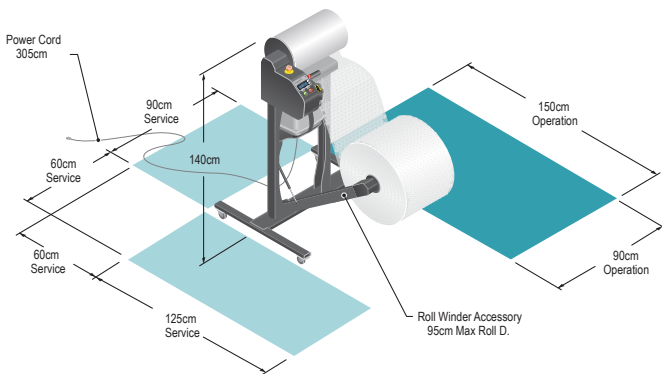
The system runs with an exclusive range of film solutions. By optimising the right film type for the right application, it is possible to benefit from material reduction.

A broad material portfolio matches to the system. The material optimises the shipping cycle and outer box size while improving operational efficiency and reducing costs.

Our patented Barrier Bubble Technology retains the air during the shipping cycle and warehousing. It provides high cushioning performance compared to traditional materials, reducing damage.

The films are recycle-ready\* and contain a minimum 30% Recycled Content diverted from recovered waste. Recycled material contained in BUBBLE WRAP® brand cushioning films is certified according to EN15343 which establishes procedures for track and trace of recycled plastic content sourcing and used in product manufacturing.

### SPECIFICATIONS



System Set-up - Stand with Roll Winder Version

**Electrical:**  
220/240 VAC 50/60 Hz 2A,  
Single Phase

**Weight:**  
System Only 29kg  
System + Stand 51kg  
System + Stand + Winder 59kg



**Overall Size (L x W x H):**  
74cm x 66cm x 48cm

## TYPICAL APPLICATIONS

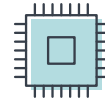
The BUBBLE WRAP® brand films offer the protective packaging needs from light weight cushioning and wrapping, up to heavy weight cushioning in a variety of markets.



Automotive



3PL



Electronic



Home Goods



Medical Equipment



Cosmetics



E-Commerce Packaging



Aerospace



\*Degree of recyclability of the final package depends on the specific product configuration or components intended for recycling and the scope and availability of appropriate local recycling facilities.